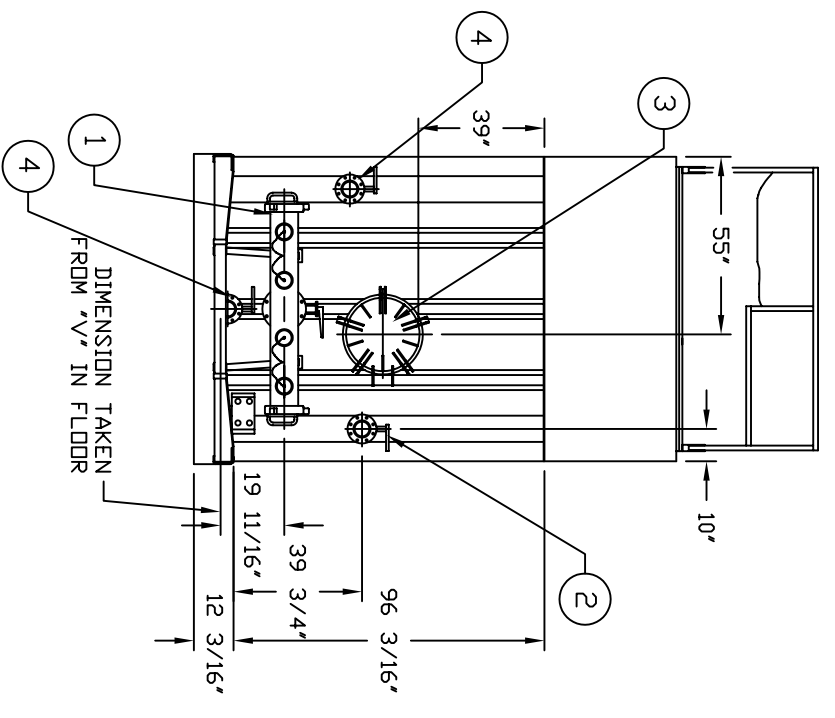
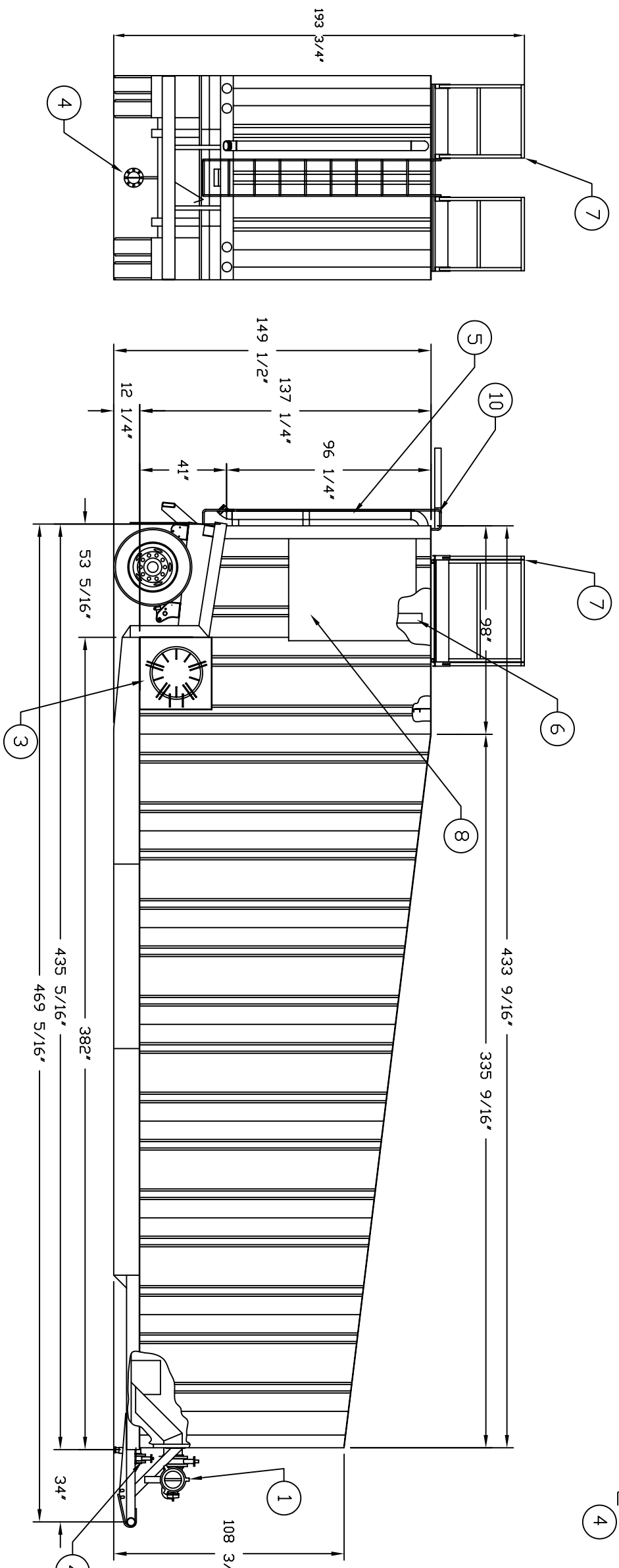


ITEM	QTY	DESCRIPTION
1	1	8" header w/two knock-on half unions & 4-4" nipples
2	1	4" gel line
3	3	22" diameter manway
4	4	4" connection with butterfly valve
5	1	3" fill pipe
6	1	4" overflow pipe
7	1	Rear platform with ramp and handrails
8	2	60"x48" Baker Tanks sign plate
9	1	1 1/4" pipe vent
10	1	Rear ladder

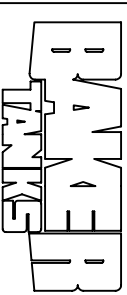


SPECIFICATIONS:

- 1) NOMINAL TANK CAPACITY: 21,000 GAL (500 BBL.)
- 2) NOMINAL TANK WEIGHT: 18,000 LBS.

1. THIS DRAWING IS A BASELINE REPRESENTATION FOR THIS MODEL TANK. VARIATIONS BETWEEN THE DRAWING AND THE ACTUAL EQUIPMENT IN THE FIELD CAN AND DO EXIST, PRIMARILY WITH APPURTENANCE LOCATIONS, SIZES AND QUANTITIES. CONSULT YOUR LOCAL BAKER REPRESENTATIVE IF SPECIFIC NEEDS EXIST.
2. THIS TANK IS TO BE TRANSPORTED WHILE EMPTY ONLY. IT IS NOT DESIGNED TO TRANSPORT LOADS.
3. THIS TANK IS CONSTRUCTED OF CARBON STEEL.

The information contained herein is proprietary to Baker Tanks and shall not be reproduced or disclosed in whole or in part, or used for any design or manufacture except when user obtains direct written authorization from Baker Tanks.



3020 OLD RANCH PARKWAY
SEAL BEACH, CA 90740-2751

REV.	DESCRIPTION	DATE	BY
G			
F			
E			
D			
C			
B			
A			

SCALE:	SIZE:	ORIGINAL DWG. DATE:
Do Not Scale	B	16 JUL 02
DRAWN BY:	APPROVED BY:	CAT/CLASS:
P.J.B.		140-1xxx
TITLE:	SHEET:	REV.:
VE ENTERPRISES FRAC TANK	1 of 1	
DRAWING NO.:		
S-2-M0004-1-		0