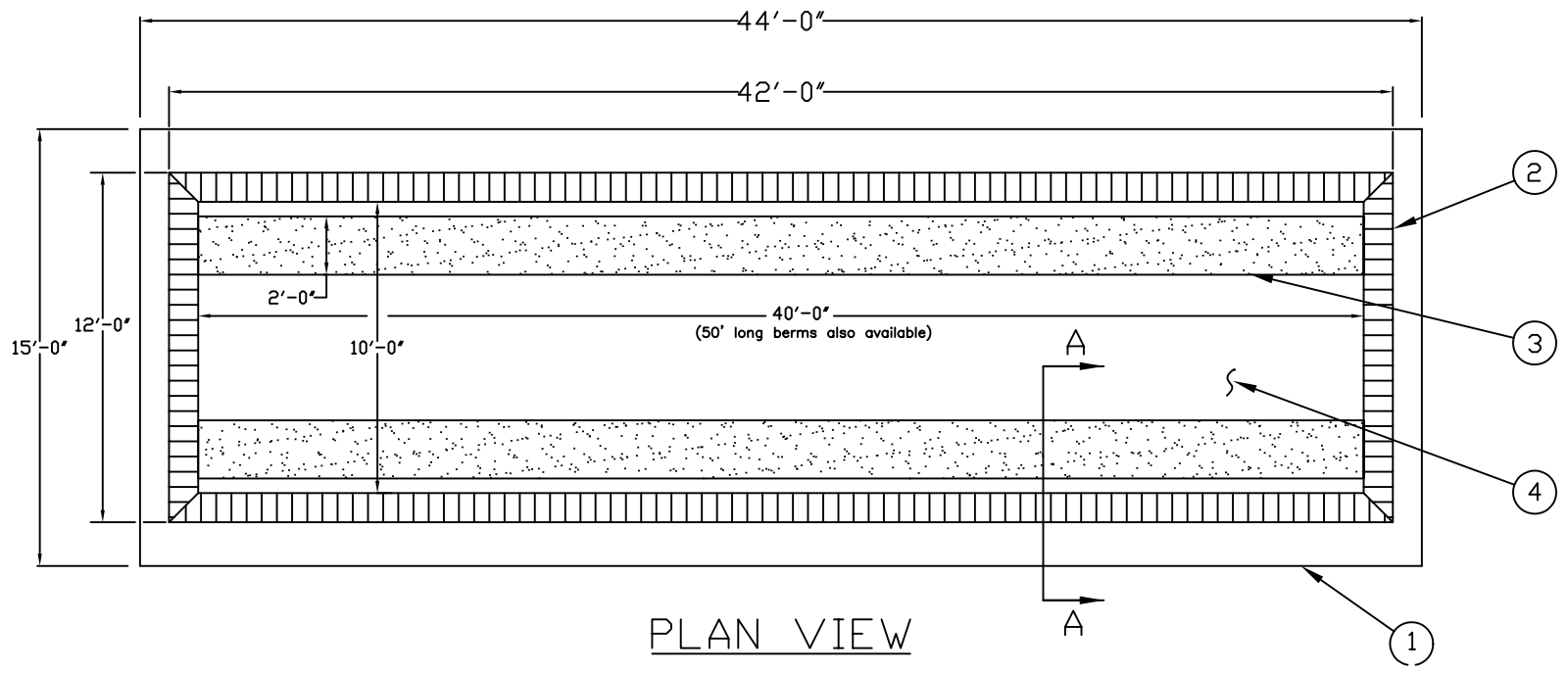
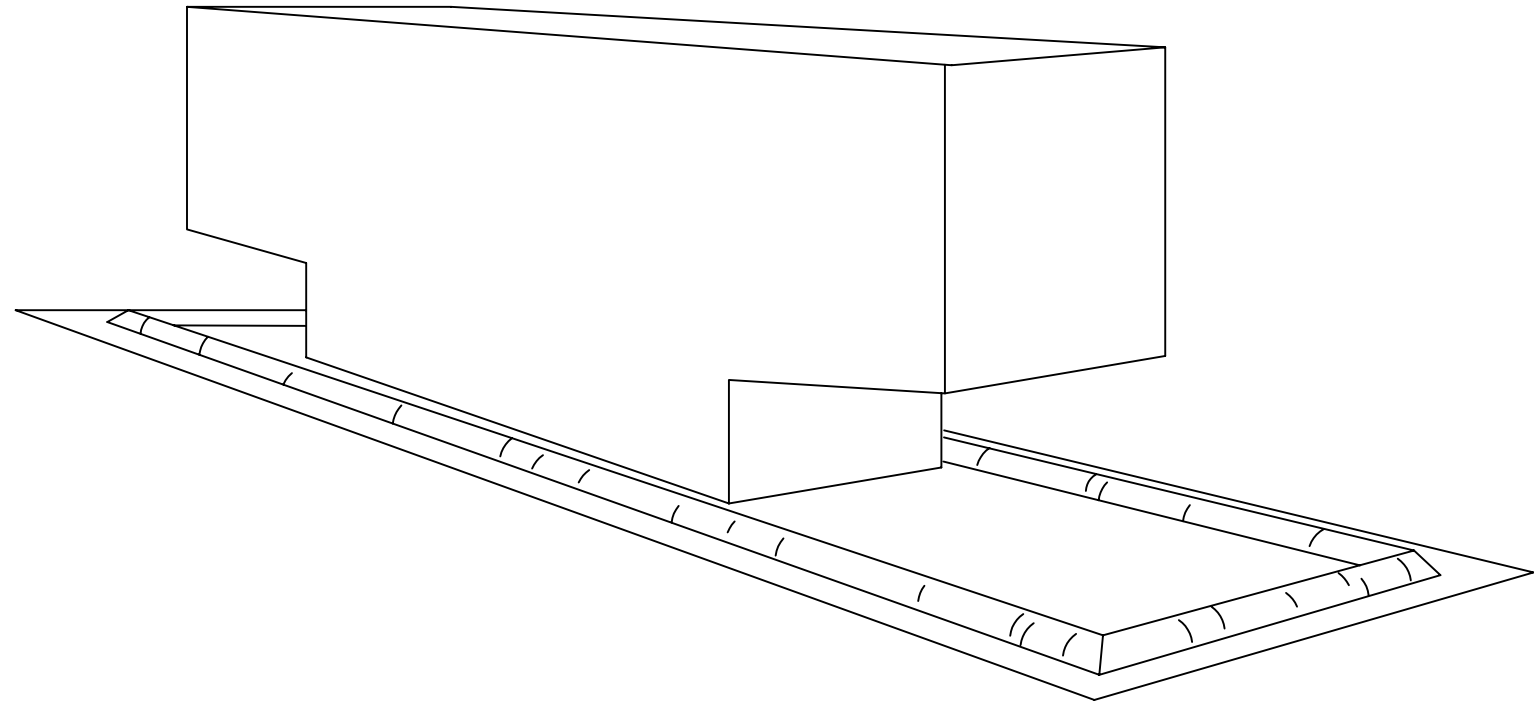


| ITEM | QTY | DESCRIPTION |
|------|-----|---|
| 1 | 1 | UNDERLAYMENT MAT |
| 2 | 24 | SPLIT 10" CORRUGATED POLYETHYLENE PIPE* |
| 3 | 2 | LINER PROTECTION MAT |
| 4 | 1 | PRODUCT CONTAINMENT LINER |

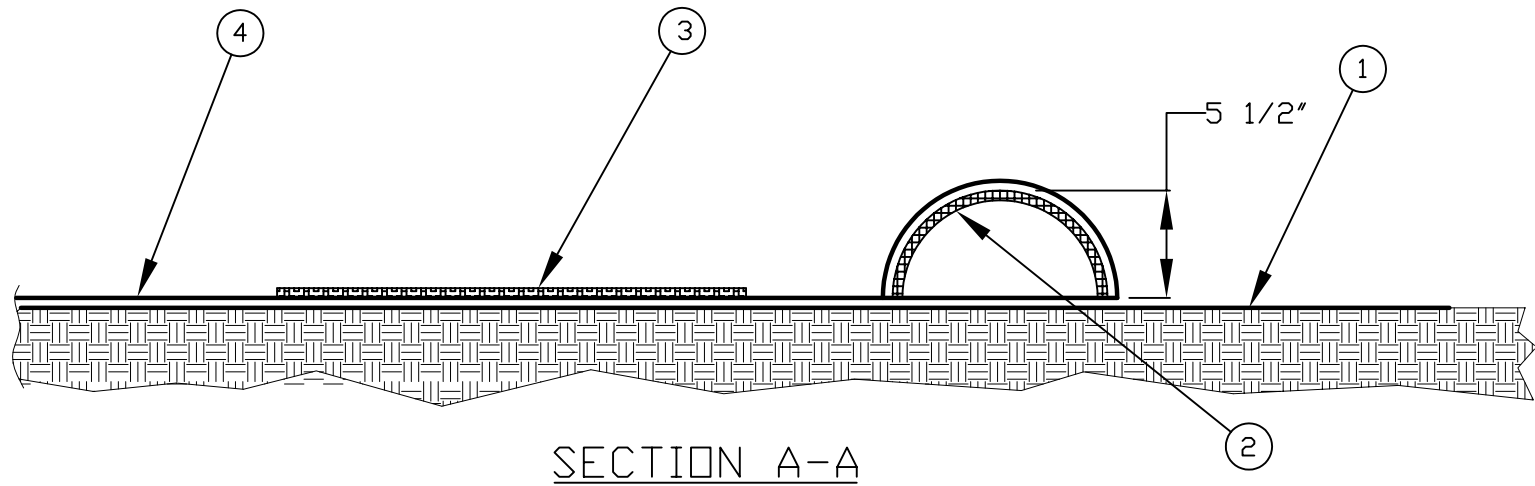
* 5' - 6' long pieces



PLAN VIEW



SAFEGUARD BERM INSTALLATION



SECTION A-A

NOTES

1. Containment volume for berm shown is approximately 1980 gallons
2. Support tubes are inserted inside pockets around the perimeter of the liner
3. Underlayment may be felt, recycled rubber mat or poly sheet
4. Outer bottom tank runners are positioned over the liner protection mat
5. Tank is positioned inside berm by driving over unassembled end; end is then assembled after tractor withdrawn.

The information contained herein is proprietary to Baker Tanks and shall not be reproduced or disclosed in whole or in part, or used for any design or manufacture except when user obtains direct written authorization from Baker Tanks.



3020 OLD RANCH PARKWAY
SEAL BEACH, CA 90740-2751

| | | | | | | |
|------|-------------|------|----|-----------------------------|-------------------|-------------------------------|
| G | | | | SCALE: Do Not Scale | SIZE B | ORIGINAL DWG. DATE 02DEC03 |
| F | | | | DRAWN BY: P.J.B. | APPROVED BY: - | CAT/CLASS 190-1xxx |
| E | | | | | | TITLE SAFEGUARD SPILL BERM |
| D | | | | DRAWING NO. S-9-M0013-1- | REV. 0 | |
| C | | | | | | |
| B | | | | | | |
| A | | | | | | |
| REV. | DESCRIPTION | DATE | BY | | | |