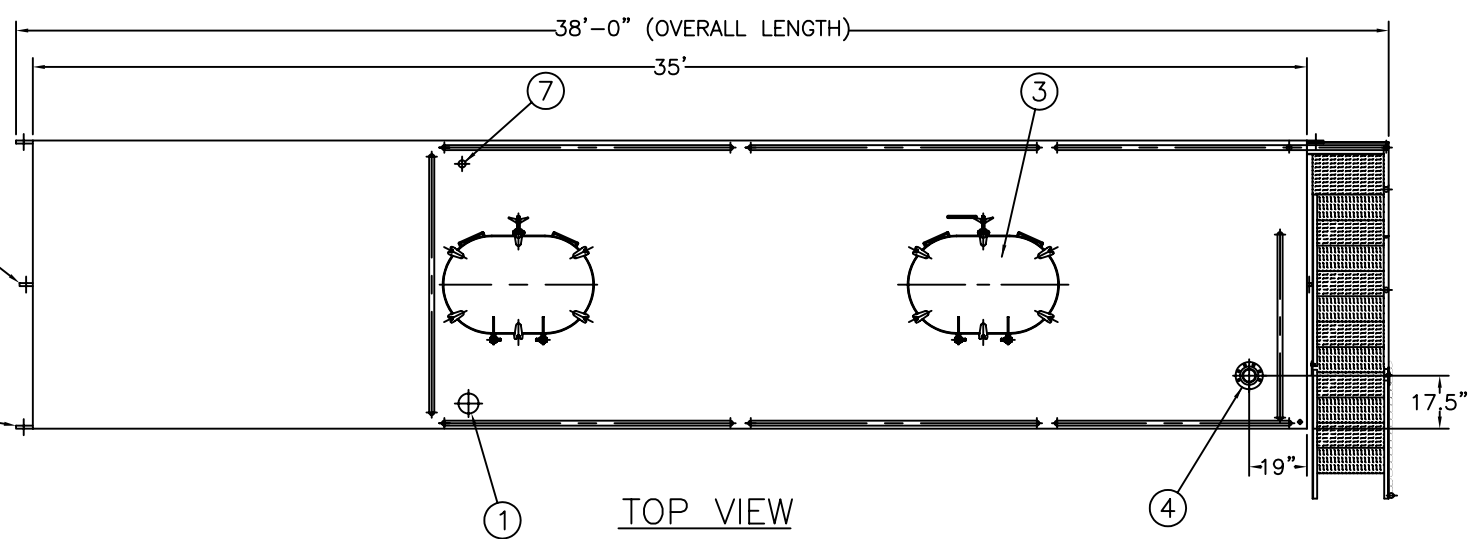
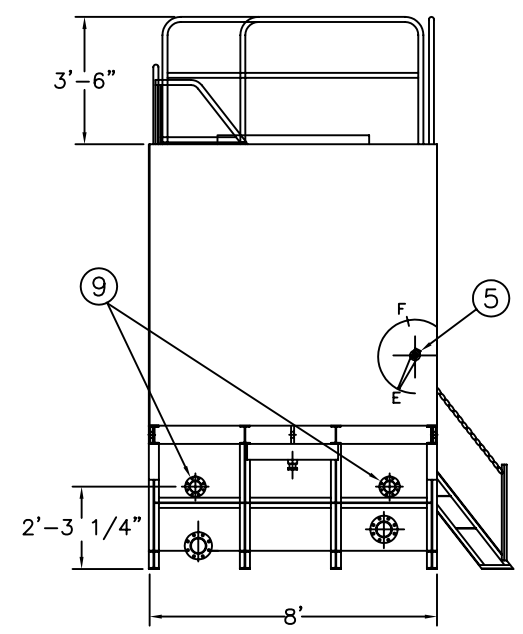


TOP HATCH ASSEMBLY

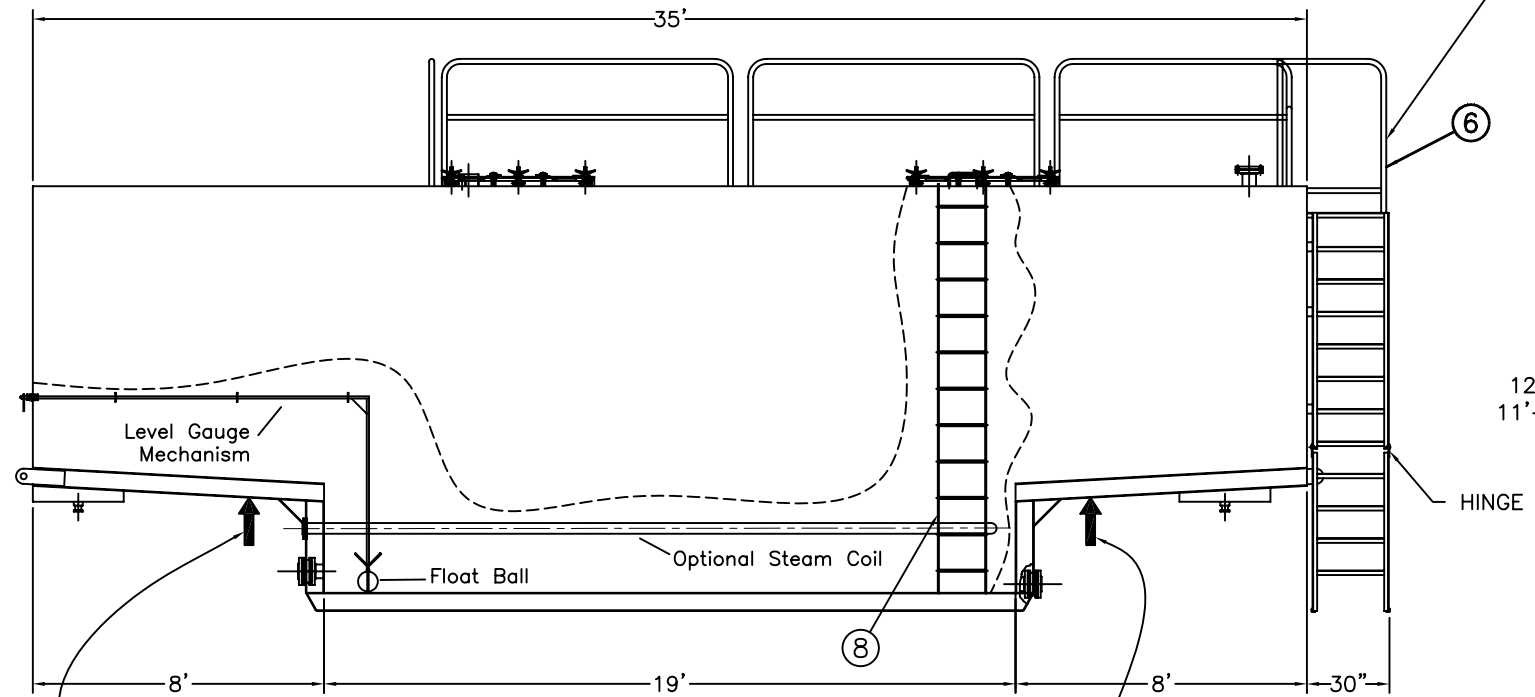


TOP VIEW

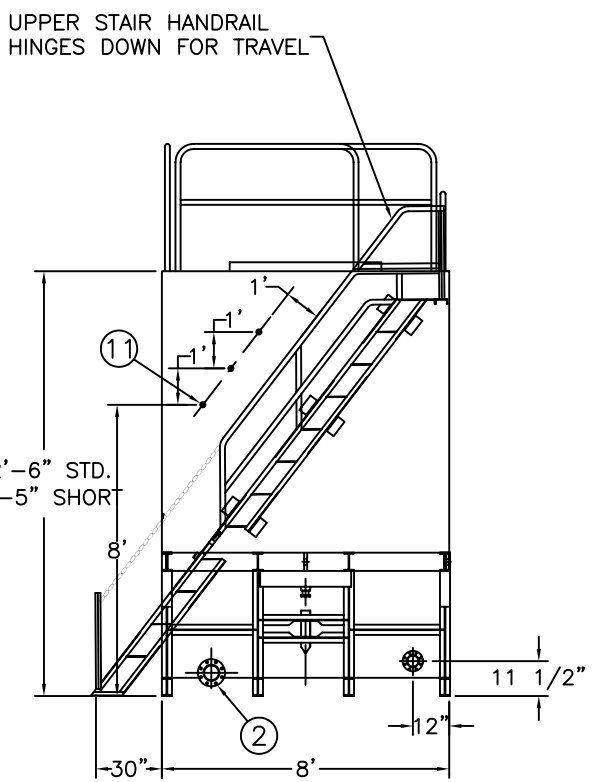
| ITEM | QTY | DESCRIPTION                                       |
|------|-----|---|
| 1    | 1   | PRESSURE/VACUUM RELIEF VALVE (SEE NOTE 2)         |
| 2    | 4   | 4/6" INLET/DRAINS - CAPS/B-FLY VALVE (SEE NOTE 1) |
| 3    | 2   | MARINE STYLE VAPOR PROOF HATCH                    |
| 4    | 1   | 4/6" FLANGE OPG W/BLIND FLG (SEE NOTE 1)          |
| 5    | 1   | LEVEL INDICATOR                                   |
| 6    | 1   | OSHA COMPLIANT STAIRWAY & ROOF GUARD RAILS        |
| 7    | 1   | 2' WELD COLLAR & PLUG                             |
| 8    | 1   | INTERNAL LADDER                                   |
| 9    | 2   | 3" COIL INLET & OUTLET W/BLIND FLG (SEE NOTE 3)   |



TRACTOR END



SIDE VIEW



DOLLY END

SPECIFICATIONS:

- TANK CAPACITY:  
STD: 500 BBL/21,000 GAL.  
SHORT: 475 BBL/20,000 GAL.
- TANK WEIGHT: 22,000-23,000 LB.

NOTES:

- This drawing is a baseline representation for this model tank. Variations between the drawing and the actual equipment in the field can and do exist, primarily with appurtenance locations, sizes and quantities. Consult your local Baker representative if specific needs exist.
- This tank is equipped with a pressure relief valve set at 1.0 lb/sq. in. pressure and 0.4 oz/sq. in. vacuum.
- Some individual tanks are equipped with bottom heating coils made of carbon steel pipe.

|  |                                |         |      |
|--|--------------------------------|---------|------|
| The information contained herein is proprietary to Baker Tanks and shall not be reproduced or disclosed in whole or in part, or used for any design or manufacture except when user obtains direct written authorization from Baker Tanks. |                                |         |      |
| G  |                                |         |      |
| F  |                                |         |      |
| E  |                                |         |      |
| D  |                                |         |      |
| C  |                                |         |      |
| B  | ADDED COIL, LLG & MODIF. NOTES | 18APR05 | VAW  |
| A  | REDRAWN                        | 18FEB02 | A.R. |
| REV.   | DESCRIPTION                    | DATE    | BY   |

3020 OLD RANCH PARKWAY  
SEAL BEACH, CA 90740-2751

|                                  |                   |                               |
|----------------------------------|-------------------|-------------------------------|
| SCALE:<br>None                   | SIZE<br>B         | ORIGINAL DWG. DATE<br>18FEB02 |
| DRAWN BY:<br>A. R.               | APPROVED BY:<br>- | CAT/CLASS<br>100-4XXX         |
| TITLE<br>SAFETY VAPOR TANK (SVP) |                   | SHEET<br>1 OF 1               |
| DRAWING NO.<br>S-1-M0006-1-      |                   | REV.<br>B                     |