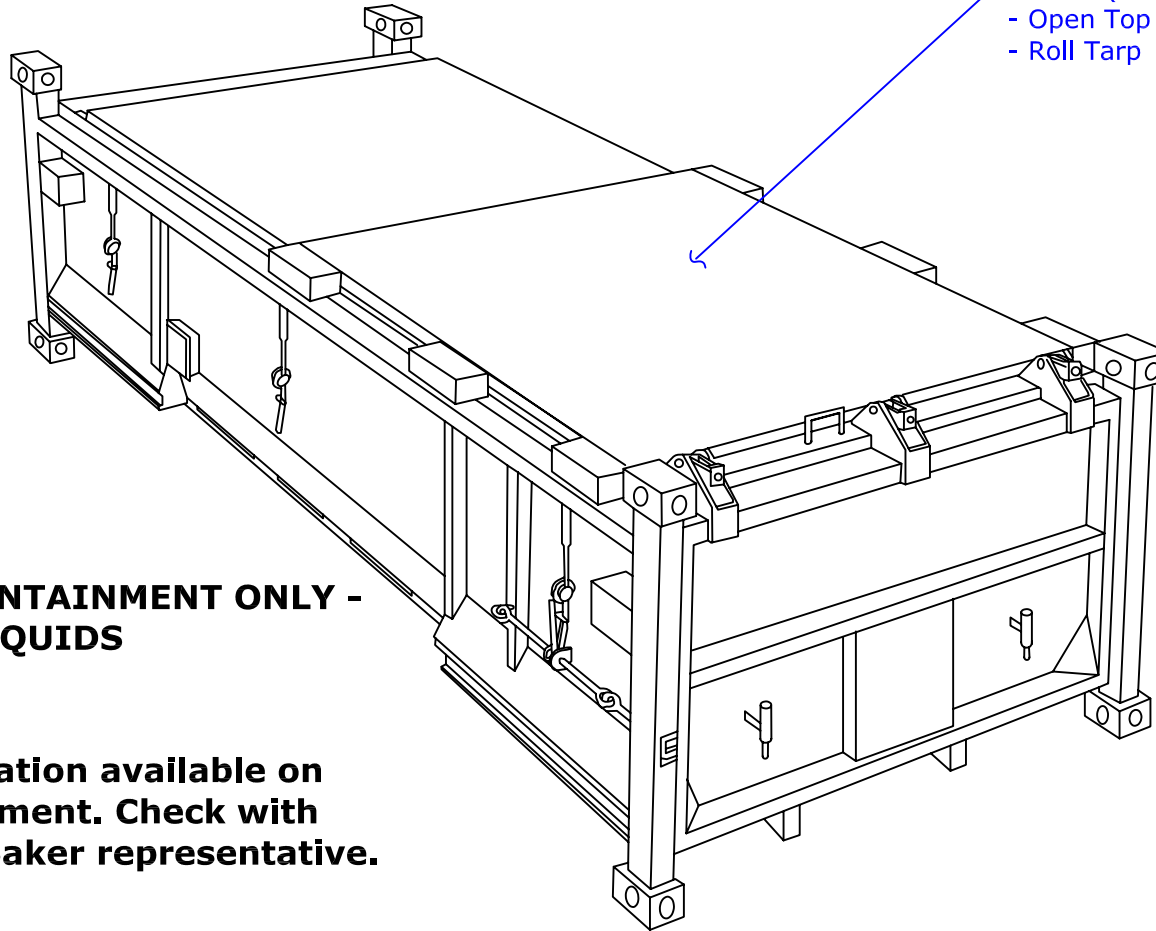


Container is all steel construction

- Lid Options:
 - Metal (shown)
 - Open Top
 - Roll Tarp

Capacity: 25 cu. yds.
 Height: 6'6"
 Width: 8'-0"
 Length: 19'-10"



**SOLIDS CONTAINMENT ONLY -
 NO FREE LIQUIDS**

**CSC certification available on
 some equipment. Check with
 your local Baker representative.**

Note: This drawing is a general representation for this class of equipment. Refer to the Product Data Sheet for more detailed information.

The information contained herein is proprietary to Baker Tanks and shall not be reproduced or disclosed in whole or in part, or used for any design or manufacture except when user obtains direct written authorization from Baker Tanks.				BAKER TANKS		3020 OLD RANCH PARKWAY SEAL BEACH, CA 90740-2751	
G				SCALE: N.T.S.	SIZE: A	ORIGINAL DWG. DATE: 23JAN06	
F				DRAWN BY: P.J.B.	APPROVED BY: -	CAT/CLASS: NA	
E				TITLE: ACCURATE INDUSTRIES INTERMODAL		SHEET: 1 OF 1	
D				DRAWING NO. S-6-M0001-1-	REV. 0		
C							
B							
A							
REV.	DESCRIPTION	DATE	BY				