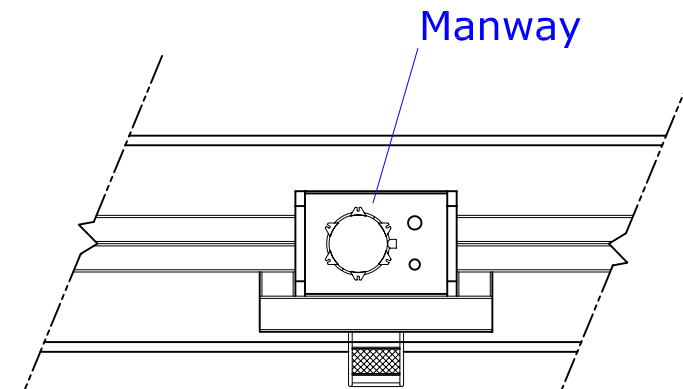
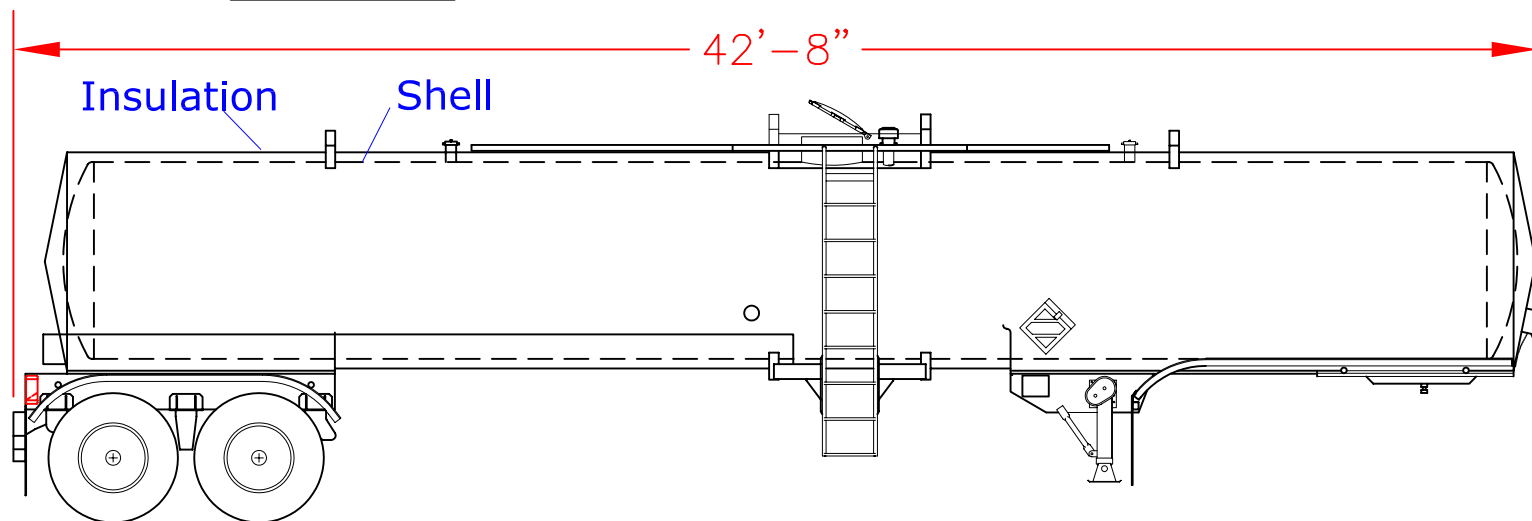


**REAR VIEW**



**TOP VIEW**



**CURBSIDE VIEW**

The information contained herein is proprietary to Baker Tanks and shall not be reproduced or disclosed in whole or in part, or used for any design or manufacture except when user obtains direct written authorization from Baker Tanks.



3020 OLD RANCH PARKWAY  
SEAL BEACH, CA 90740-2751

G			
F			
E			
D			
C			
B			
A			
REV.	DESCRIPTION	DATE	BY

SCALE: N.T.S.	SIZE A	ORIGINAL DWG. DATE 23JAN06
DRAWN BY: P.J.B.	APPROVED BY: -	CAT/CLASS NA
TITLE POLAR DOT 407 TANKER TRAILER		SHEET 1 OF 1
DRAWING NO. S-4-M0004-1-		REV. 0