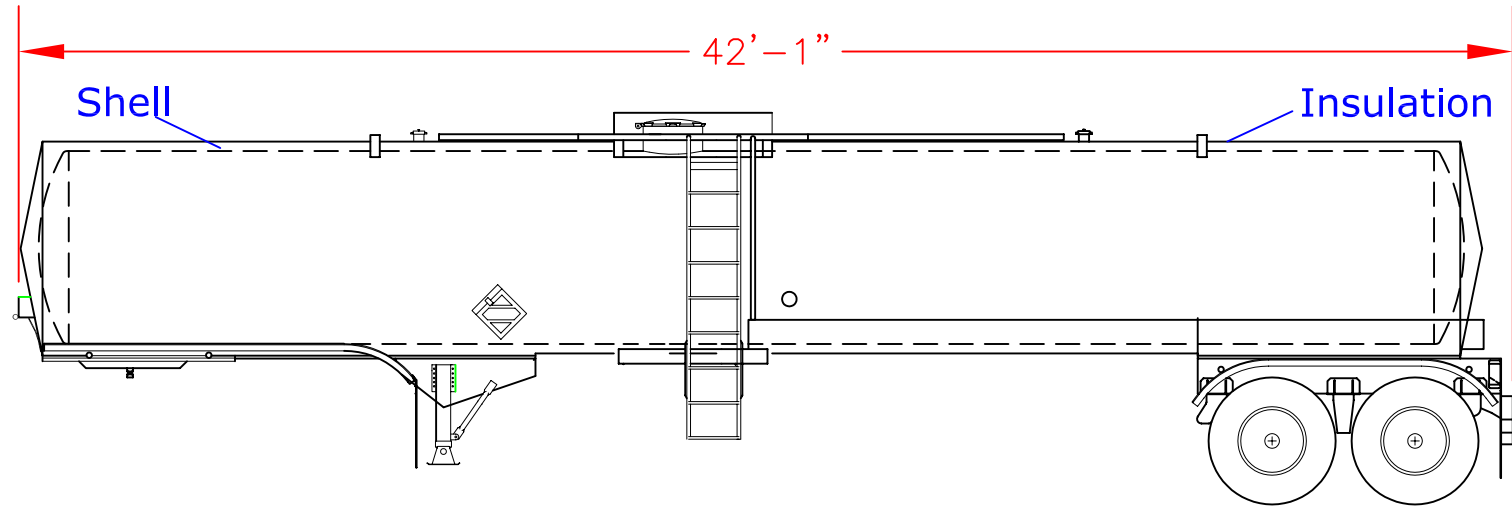



REAR VIEW



DRIVER'S SIDE VIEW

| | | | | | | |
|--|------|----|---|-------------------|---|------|
| <p><i>The information contained herein is proprietary to Baker Tanks and shall not be reproduced or disclosed in whole or in part, or used for any design or manufacture except when user obtains direct written authorization from Baker Tanks.</i></p> | | |  | | 3020 OLD RANCH PARKWAY SEAL BEACH, CA 90740-2751 | |
| | | | | | SCALE: | SIZE |
| | | | N.T.S. | A | 23JAN06 | |
| | | | DRAWN BY: P.J.B. | APPROVED BY: - | CAT/CLASS -- | |
| | | | TITLE | | SHEET | |
| | | | WALKER DOT 407 TANKER TRAILER | | 1 OF 1 | |
| | | | DRAWING NO. | | REV. | |
| | | | S-4-M0003-1- | | 0 | |
| DESCRIPTION | DATE | BY | | | | |