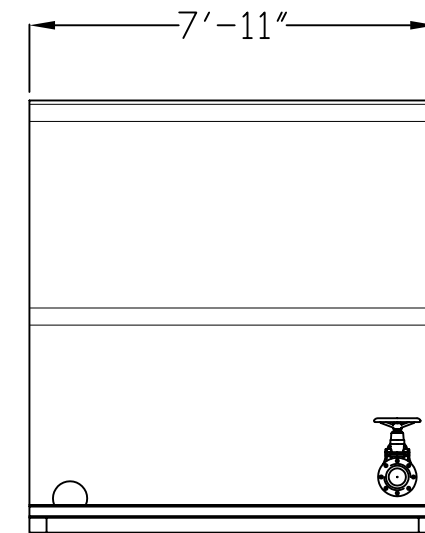
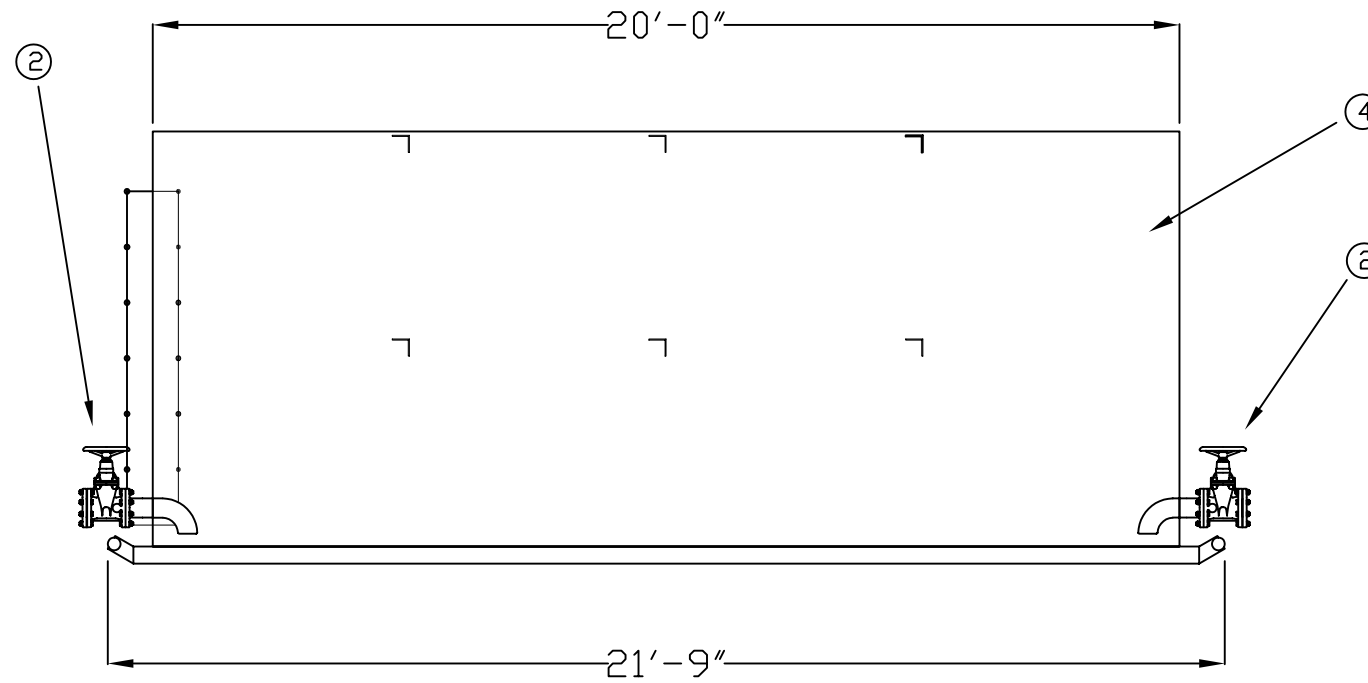
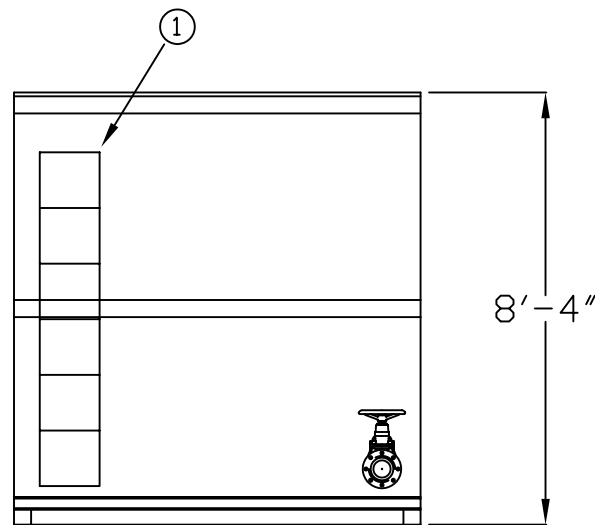
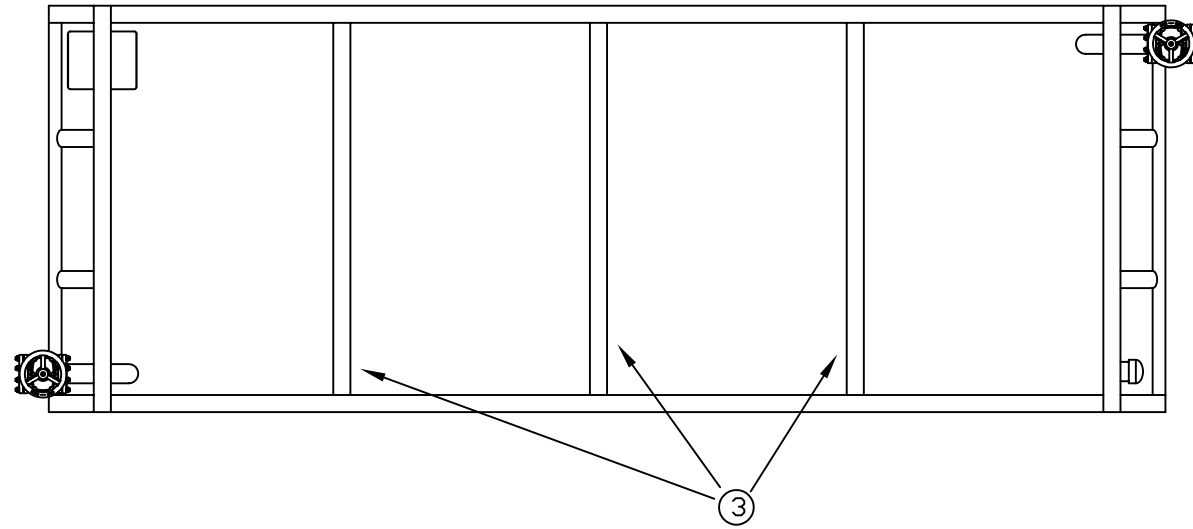


ITEM	QTY	DESCRIPTION
1	1	LADDER (INTERNAL & EXTERNAL)
2	2	4" GATE VALVE
3	6	INTERNAL CROSS-BRACING (STRUCTURAL SHAPES)
4	-	1/4" THK (nominal) CARBON STEEL SHELL
5	-	-
6	-	-
7	-	-
8	-	-




**SPECIFICATIONS:**

- 1) TANK CAPACITY:  
STD: 230 BBL/9,660 GAL.
- 2) TANK WEIGHT: 7,000 LBS.

**NOTES:**

1. This drawing is a baseline representation for this model tank. Variations between the drawing and the actual equipment in the field can and do exist, primarily with appurtenance locations, sizes and quantities. Consult your local Baker representative if specific needs exist.

<p>The information contained herein is proprietary to Baker Tanks and shall not be reproduced or disclosed in whole or in part, or used for any design or manufacture except when user obtains direct written authorization from Baker Tanks.</p>						3020 OLD RANCH PARKWAY SEAL BEACH, CA 90740-2751	
						SCALE:	SIZE
G						B	15FEB05
F							
E				DRAWN BY:	APPROVED BY:		CAT/CLASS
D				P.J.B.	-		-
C				TITLE		SHEET	
B				230 BBL OPEN TOP TANK		1 OF 1	
A				DRAWING NO.		REV.	
REV.	DESCRIPTION	DATE	BY	S-1-M0011-1-		0	