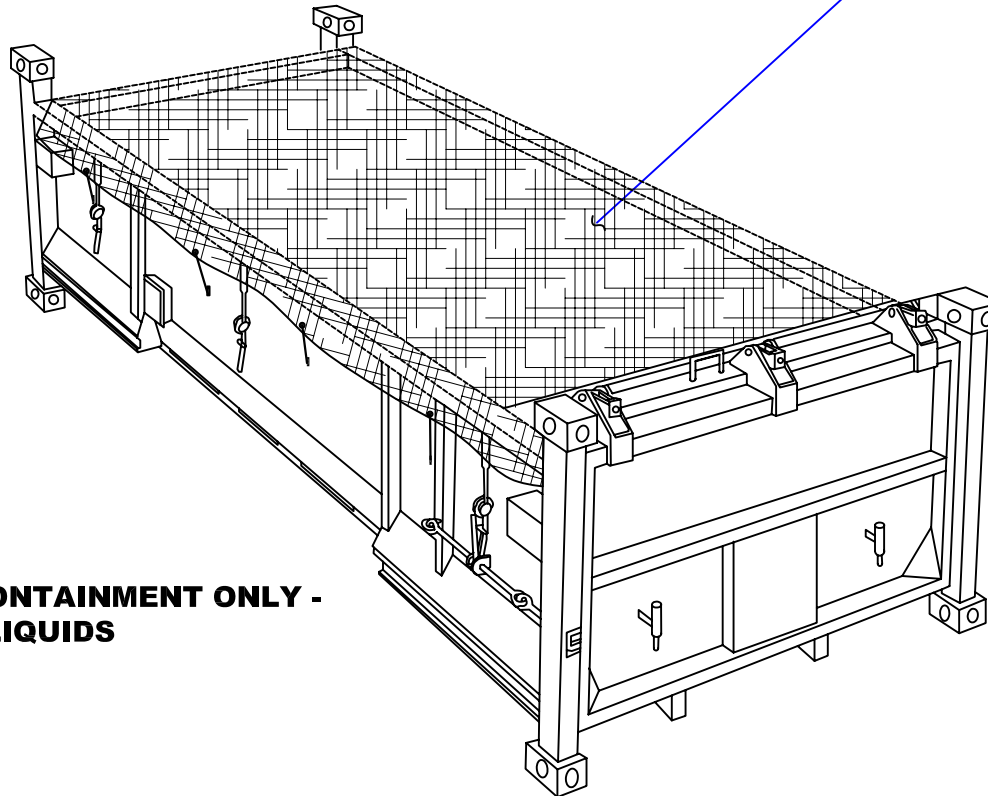


WEIGHTS AND MEASURES

➤ Capacity:	25 yd ³ & 30 yd ³
➤ Height:	25 yd ³ : 6'-6" 30 yd ³ : 7'-7½"
➤ Width:	Both capacities: 8'-0"
➤ Length:	Both capacities: 19'-10½"
➤ Weight:	25 yd ³ RT - 7859 lbs. 30 yd ³ RT - 9680 lbs.
➤ Inside Dimensions:	Both capacities: 82" x 18'-11½"

Container is all steel construction

Canvas Tarp



**SOLIDS CONTAINMENT ONLY -
NO FREE LIQUIDS**

Note: This drawing is a general representation for this class of equipment. Refer to the Product Data Sheet for more detailed information.

The information contained herein is proprietary to Baker Tanks and shall not be reproduced or disclosed in whole or in part, or used for any design or manufacture except when user obtains direct written authorization from Baker Tanks.



3020 OLD RANCH PARKWAY
SEAL BEACH, CA 90740-2751

G				SCALE:	N.T.S.	SIZE:	A	ORIGINAL DWG. DATE:	26JAN06
F				DRAWN BY:	P.J.B.	APPROVED BY:	-	CAT/CLASS:	NA
E				TITLE:	GALBREATH INTERMODAL			SHEET:	1 OF 1
D				DRAWING NO.:	S-6-M0007-1-			REV.:	0
C				REV.	DESCRIPTION	DATE	BY		