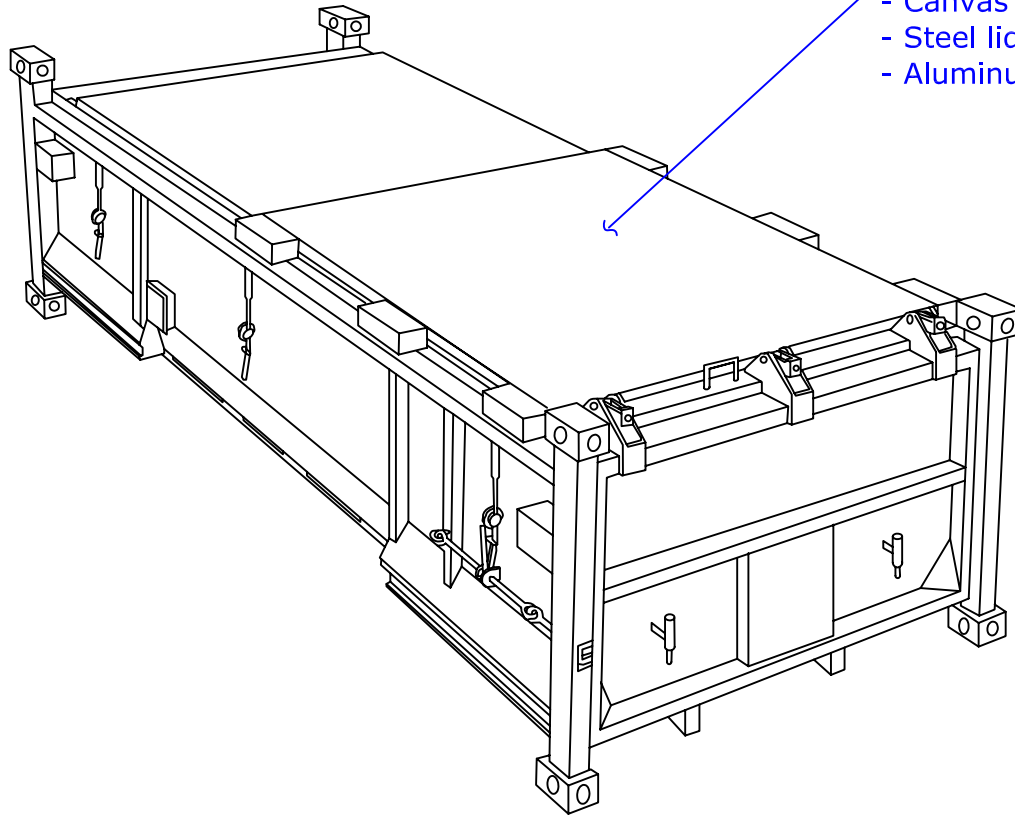


Container is all steel construction

- Lid Options:**
- Canvas Tarp
  - Steel lid (shown)
  - Aluminum Lid




**WEIGHTS AND MEASURES**

➤ <b>Capacity:</b>	.....	20 yd <sup>3</sup> roll-tarp 25 yd <sup>3</sup> roll-tarp and metal lid 30 yd <sup>3</sup> roll-tarp and metal lid
➤ <b>Height:</b>	.....	20 yd <sup>3</sup> : 5'-10½" 25 yd <sup>3</sup> : 7'-3" (to top of iso casting) 30 yd <sup>3</sup> : 8'-1" (to top of iso casting)
➤ <b>Width:</b>	.....	All sizes: 8'-0"
➤ <b>Length:</b>	.....	All sizes: 19'-10½"
➤ <b>Weight:</b>	.....	20 yd <sup>3</sup> : RT – 6600 lbs. 25 yd <sup>3</sup> : RT – 7859 lbs., ML – 8059 lbs. 30 yd <sup>3</sup> : RT -, ML -
➤ <b>Inside Dimensions:</b>	.....	20 yd <sup>3</sup> : 82" wide x 222-7/8" long 25 yd <sup>3</sup> : 82" wide x 227-1/2" long 30 yd <sup>3</sup> : 82" wide x 227-1/2" long

**SOLIDS CONTAINMENT ONLY - NO FREE LIQUIDS**

**CSC certification available on some equipment. Check with your local Baker representative.**

Note: This drawing is a general representation for this class of equipment. Refer to the Product Data Sheet for more detailed information.

The information contained herein is proprietary to Baker Tanks and shall not be reproduced or disclosed in whole or in part, or used for any design or manufacture except when user obtains direct written authorization from Baker Tanks.				 3020 OLD RANCH PARKWAY SEAL BEACH, CA 90740-2751		
G						SCALE: N.T.S.
F				DRAWN BY: P.J.B.	APPROVED BY: -	CAT/CLASS: NA
E						
D				TITLE: MCCLAIN INTERMODAL		SHEET: 1 OF 1
C				DRAWING NO. S-6-M0006-1-		REV. 0
B						
A						
REV.	DESCRIPTION	DATE	BY			