

Hinged Rear Door

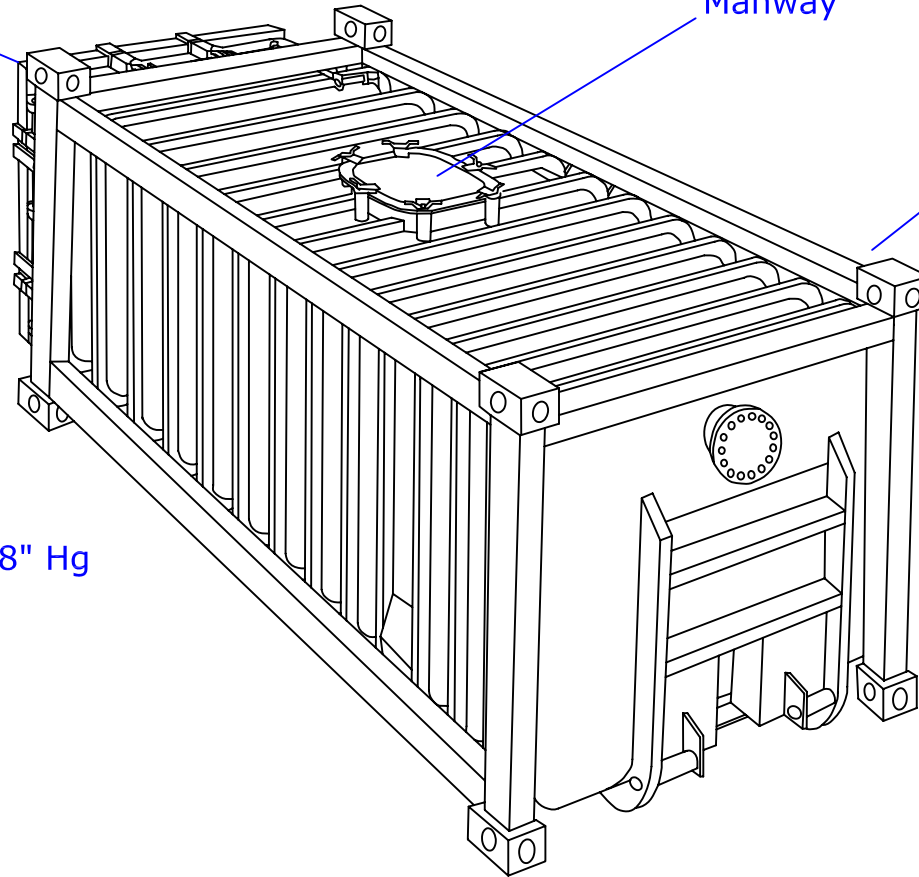
Manway

Standard ISO Corners

All Steel Construction

Rated to 28" Hg

Capacity: 20 & 25 cu. yds.
 Height: 20 cu. yd: 6'-2"
 25 cu. yd: 7'-2"
 Width: 8'-0"
 Length: 19'-11"



Note: This drawing is a general representation for this class of equipment. Refer to the Product Data Sheet for more detailed information.

The information contained herein is proprietary to Baker Tanks and shall not be reproduced or disclosed in whole or in part, or used for any design or manufacture except when user obtains direct written authorization from Baker Tanks.				BAKER TANKS		3020 OLD RANCH PARKWAY SEAL BEACH, CA 90740-2751	
G				SCALE: N.T.S.	SIZE: A	ORIGINAL DWG. DATE: 24JAN06	
F				DRAWN BY: P.J.B.	APPROVED BY: -	CAT/CLASS: NA	
E						TITLE: GALBREATH VACUUM INTERMODAL	
D				DRAWING NO. S-6-M0003-1-			REV. 0
C							
B							
A							
REV.	DESCRIPTION	DATE	BY				