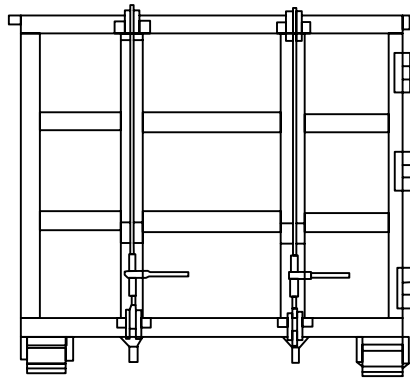


WEIGHTS AND MEASURES

➤ Capacity:	20 yd ³ : 16 yd ³ filled to top 30 yd ³ : 26 yd ³ filled to top
➤ Height:	20 yd ³ : 5'-2" 30 yd ³ : 7'-2"
➤ Width:	20 yd ³ : 8'-2" 30 yd ³ : 8'-2"
➤ Length:	20 yd ³ : 23'-9" 30 yd ³ : 23'-9"
➤ Legal Road Payload:	20 yd ³ : 12-14 yd ³ (depends on material density)
➤ Dewatering Surface Area*	20 yd ³ : approx. 290 sq. ft. 20 yd ³ Turbo: approx. 370 sq. ft. 30 yd ³ : 360 sq. ft. 30 yd ³ Turbo: 520 sq. ft.
➤ Empty Weight:	20 yd ³ : 9,200 – 9,700 lbs. 30 yd ³ : 10,500 – 11,000 lbs.

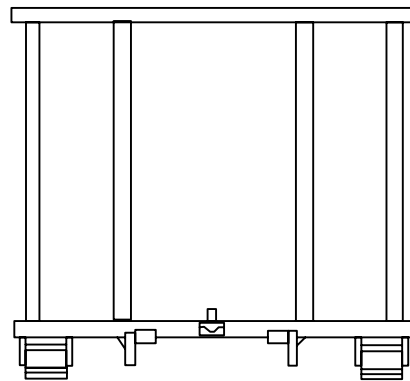
* Includes sides, floor, dividing wall (Turbo), front wall and container door



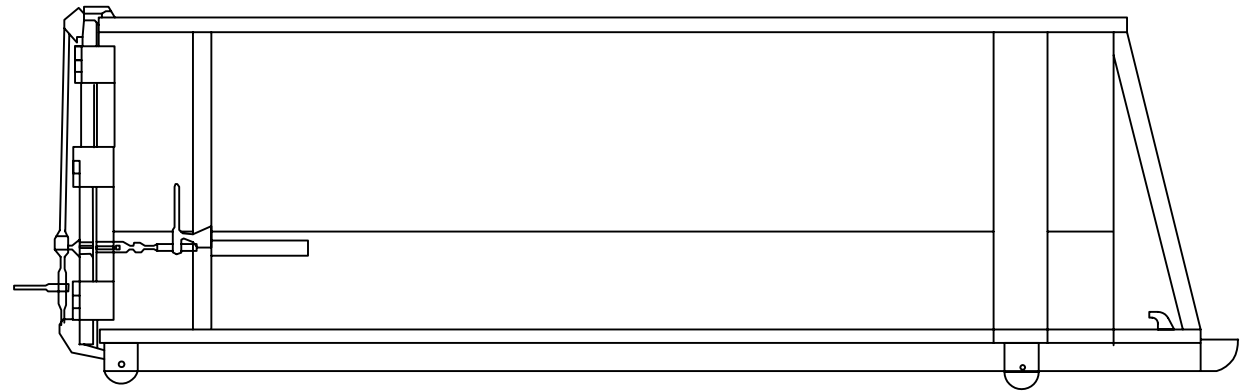
Door

REAR VIEW

Open top



FRONT VIEW



SIDE VIEW

Some units available with Turbo Charger which increases surface area by one third.

The information contained herein is proprietary to Baker Tanks and shall not be reproduced or disclosed in whole or in part, or used for any design or manufacture except when user obtains direct written authorization from Baker Tanks.				BAKER TANKS		3020 OLD RANCH PARKWAY SEAL BEACH, CA 90740-2751	
G				SCALE: N.T.S.	SIZE A	ORIGINAL DWG. DATE 26JAN06	
F				DRAWN BY: P.J.B.	APPROVED BY: -	CAT/CLASS NA	
E				TITLE SPECTRUM PHASE SEPARATOR		SHEET 1 OF 1	
D				DRAWING NO. S-5-M0021-1-		REV. 0	
C				REV.	DESCRIPTION	DATE	BY