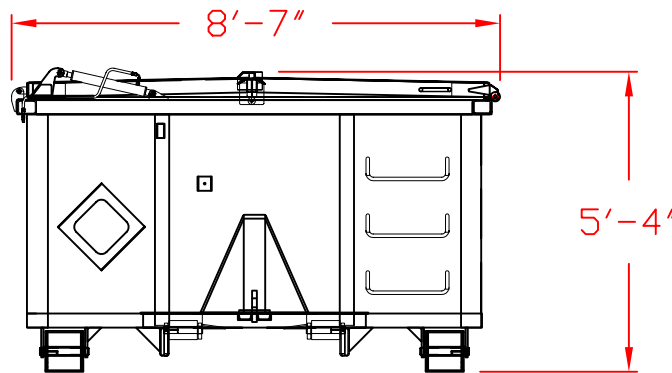
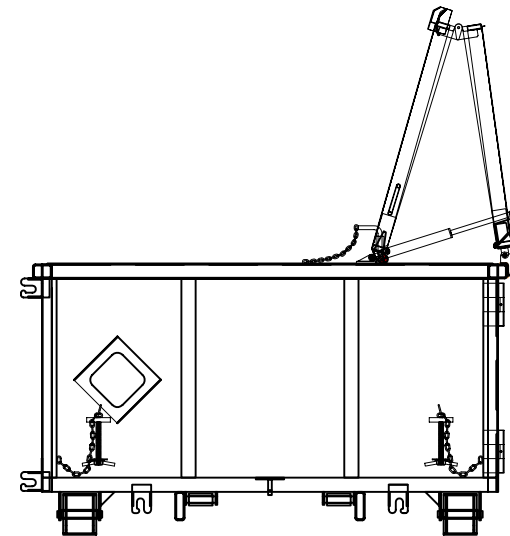


**SIDE VIEW - LID DOWN**




**FRONT VIEW - LID DOWN**



**REAR VIEW - LID UP**

Capacity: 18 cu. yds.

Lid: Hydraulically operated flip-top metal lid, split in middle, folds to passenger side

<p>The information contained herein is proprietary to Baker Tanks and shall not be reproduced or disclosed in whole or in part, or used for any design or manufacture except when user obtains direct written authorization from Baker Tanks.</p>						<p>3020 OLD RANCH PARKWAY SEAL BEACH, CA 90740-2751</p>			
G				SCALE:	N.T.S.	SIZE:	A	ORIGINAL DWG. DATE:	26JAN06
F				DRAWN BY:	P.J.B.	APPROVED BY:	-	CAT/CLASS:	NA
E				TITLE				SHEET	1 OF 1
D				PMF ROLLOFF					
C				DRAWING NO.				REV.	
B				S-5-M0020-1-				0	
A				REV.	DESCRIPTION	DATE	BY		