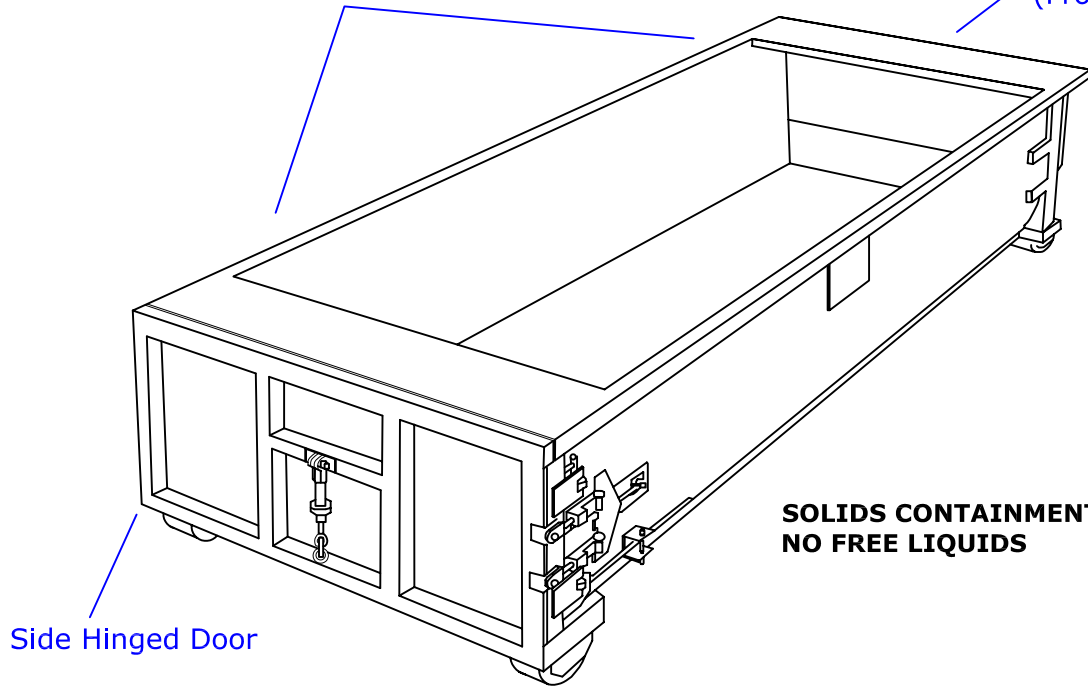


All Steel Construction

Top covering is an over/under metal lid (not shown)

Bulkhead (Front)

Capacity: 20 & 25 cu. yds.
 Height: 20 cu. yd: 4'-4"
 25 cu. yd: 5'-2"
 Width: 8'-6" (overall)
 Length: 23'-1"



SOLIDS CONTAINMENT ONLY - NO FREE LIQUIDS

Note: This drawing is a general representation for this class of equipment. Refer to the Product Data Sheet for more detailed information.

The information contained herein is proprietary to Baker Tanks and shall not be reproduced or disclosed in whole or in part, or used for any design or manufacture except when user obtains direct written authorization from Baker Tanks.



3020 OLD RANCH PARKWAY
 SEAL BEACH, CA 90740-2751

G			
F			
E			
D			
C			
B			
A			
REV.	DESCRIPTION	DATE	BY

SCALE: N.T.S.	SIZE: A	ORIGINAL DWG. DATE: 24JAN06
DRAWN BY: P.J.B.	APPROVED BY: -	CAT/CLASS: NA
TITLE: MAYFAB ROLLOFF CONTAINER OVER/UNDER METAL LID		SHEET: 1 OF 1
DRAWING NO. S-5-M0016-1-		REV. 0