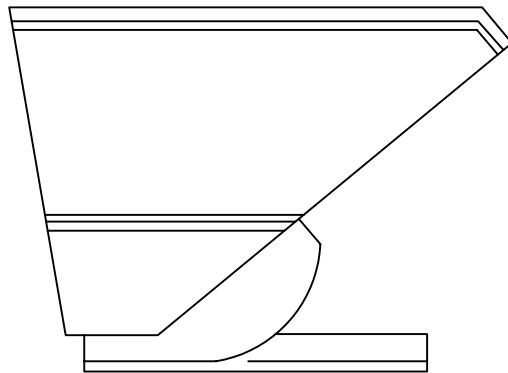


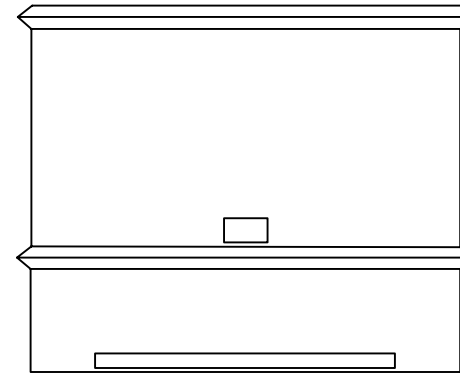
Capacity: 2 cu. yds.
 Height: 4'-9"
 Width: 5'-2"
 Length: 6'-7"

Open Top



SIDE VIEW

Interior is lined with
 filter basket &
 screen



FRONT VIEW

Note: This drawing is a general representation for this class of equipment. Refer to the Product Data Sheet for more detailed information.

The information contained herein is proprietary to Baker Tanks and shall not be reproduced or disclosed in whole or in part, or used for any design or manufacture except when user obtains direct written authorization from Baker Tanks.				BAKER TANKS		3020 OLD RANCH PARKWAY SEAL BEACH, CA 90740-2751	
G				SCALE: N.T.S.	SIZE: A	ORIGINAL DWG. DATE: 24JAN06	
F				DRAWN BY: P.J.B.	APPROVED BY: -	CAT/CLASS: NA	
E						TITLE: DEWATERING HOPPER	
D				DRAWING NO. S-5-M0015-1-		REV.:	
C							
B							
A							
REV.	DESCRIPTION	DATE	BY				