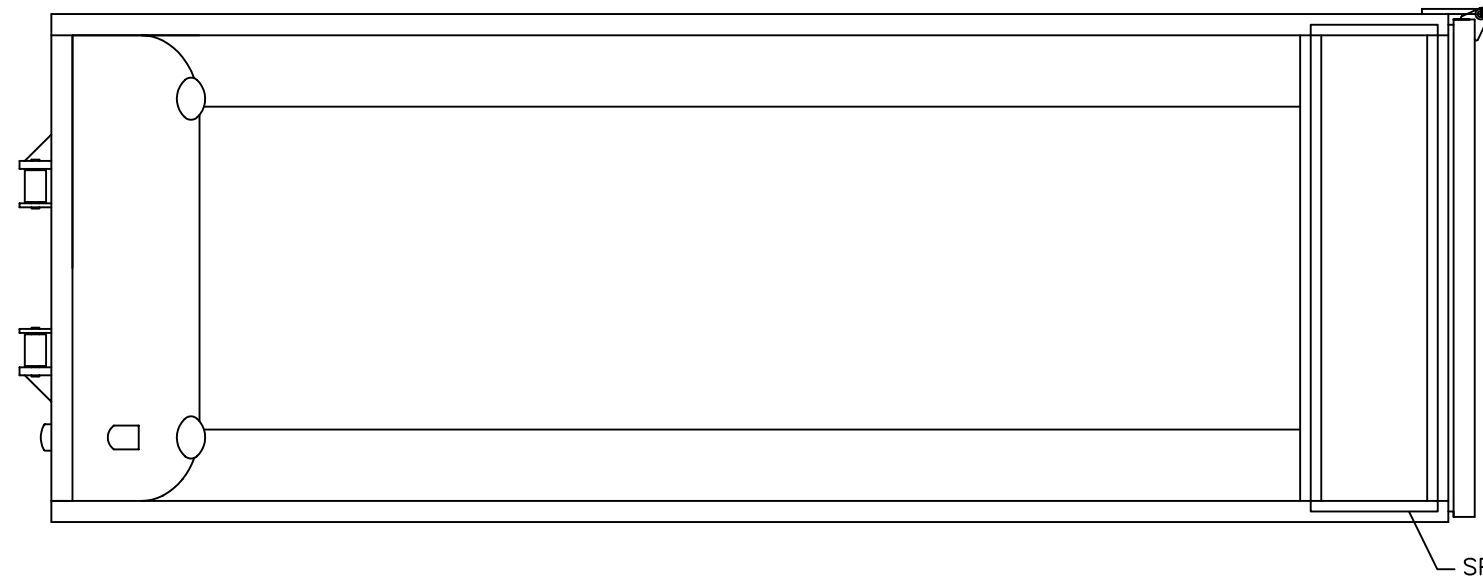
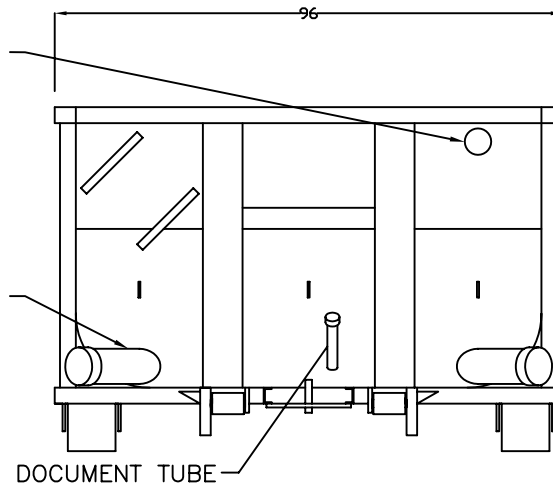


ITEM	QTY	DESCRIPTION
-	-	-
-	-	-



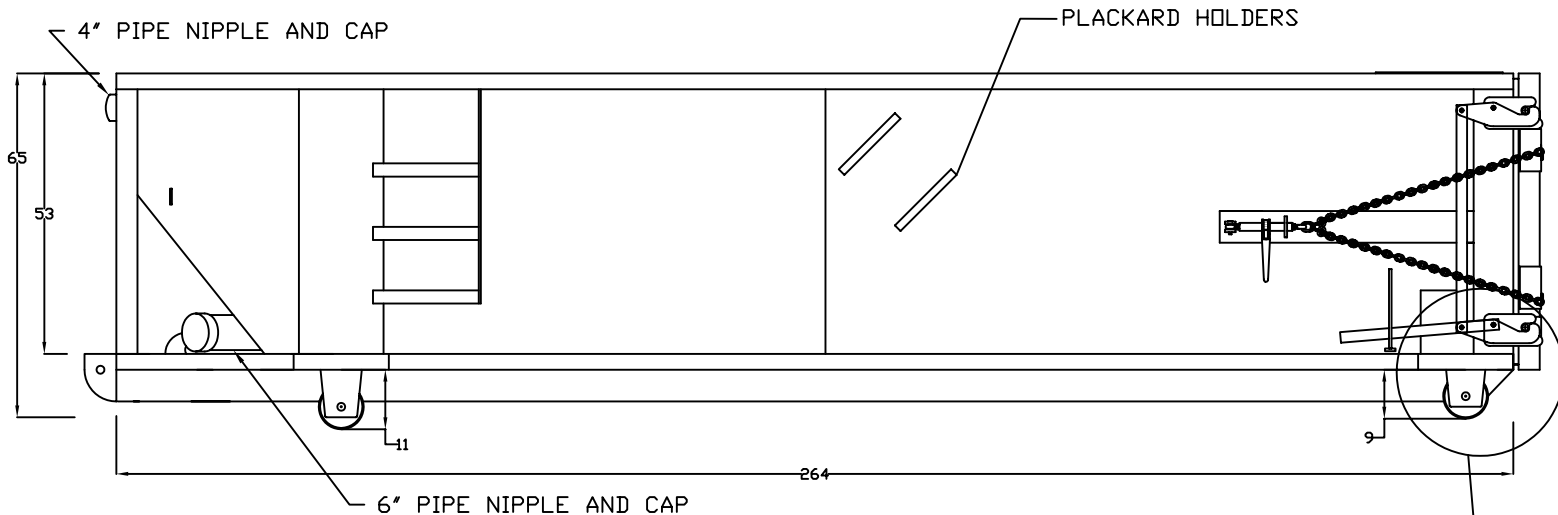
4" PIPE NIPPLE AND CAP W/ CHAIN

6" PIPE NIPPLE AND CAP W/ CHAIN (2 PLCS)



DOCUMENT TUBE

SPLASH PLATE



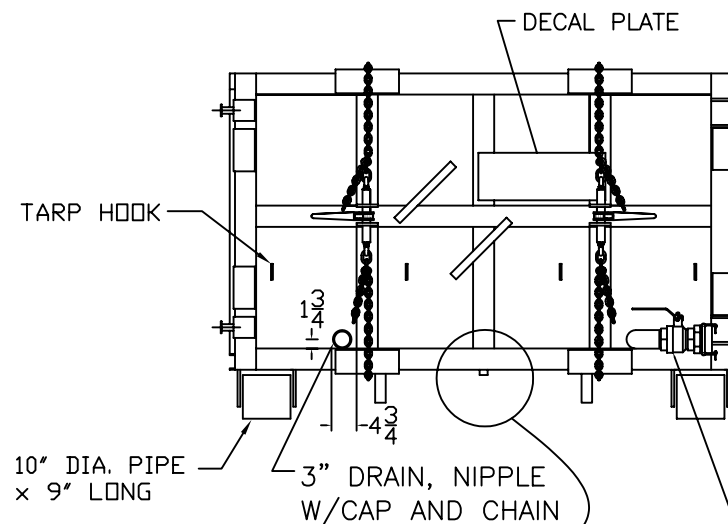
PLACKARD HOLDERS

4" PIPE NIPPLE AND CAP

6" PIPE NIPPLE AND CAP

264

65  
53



10" DIA. PIPE x 9" LONG

3" DRAIN, NIPPLE W/CAP AND CHAIN

3" DRAIN, NIPPLE W/STREET ELBOW, BALL VALVE AND MALE CAMLOCK W/ DUST CAP

REAR PULLBACK HOOK DETAIL

### BAKER SLANT FRONT OPEN TOP LIQUID TIGHT CONTAINER WITH OR W/O MOUNTED TARP

SLANT FRONT OPEN TOP CONTAINER WITH A 65" GROUND HEIGHT AT REAR, 68" GROUND HEIGHT AT FRONT AND A HEAVY DUTY DOOR

NOTES:

- THIS DRAWING IS A BASELINE REPRESENTATION FOR THIS MODEL TANK. VARIATIONS BETWEEN THE DRAWING AND THE ACTUAL EQUIPMENT IN THE FIELD CAN AND DO EXIST, PRIMARILY WITH APPURTENANCE LOCATIONS, SIZES AND QUANTITIES. CONSULT YOUR LOCAL BAKER REPRESENTATIVE IF SPECIFIC NEEDS EXIST.

<p>The information contained herein is proprietary to Baker Tanks and shall not be reproduced or disclosed in whole or in part, or used for any design or manufacture except when user obtains direct written authorization from Baker Tanks.</p>						<p>3020 OLD RANCH PARKWAY SEAL BEACH, CA 90740-2751</p>	
G				SCALE: To Scale	SIZE B	ORIGINAL DWG. DATE 06OCT04	
F				DRAWN BY: V.A.W.	APPROVED BY: -	CAT/CLASS 330-3200	
E				TITLE BAKER OPEN TOP DEWATERING BOX		SHEET 1 OF 2	
D				DRAWING NO. S-5-M0010-1-		REV. 0	
C							
B							
A							
REV.	DESCRIPTION	DATE	BY				