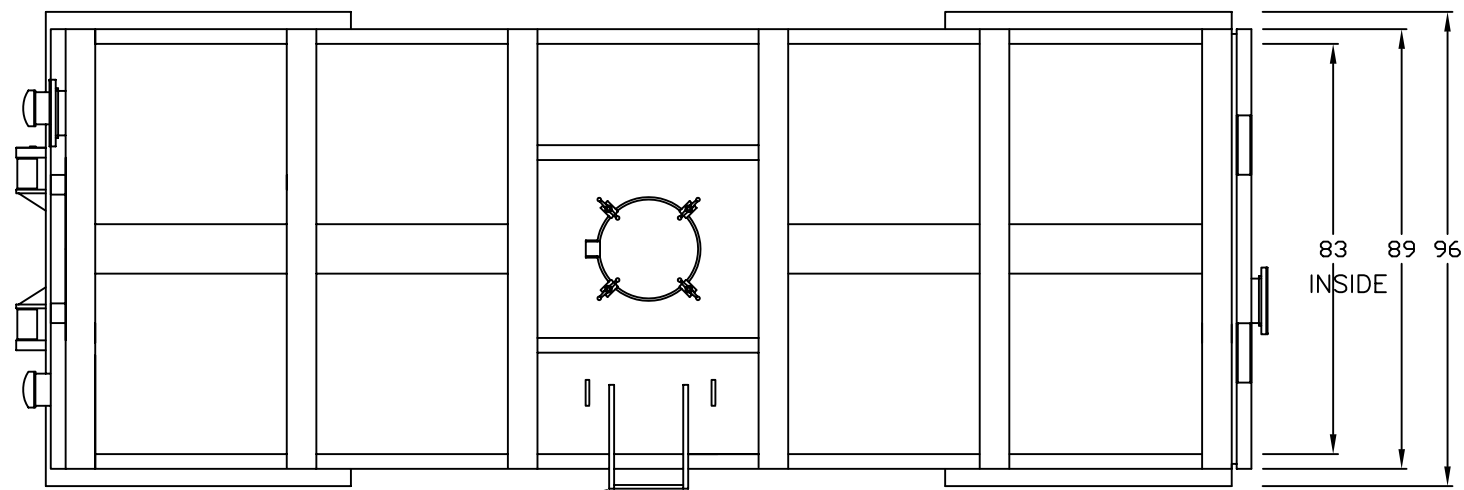
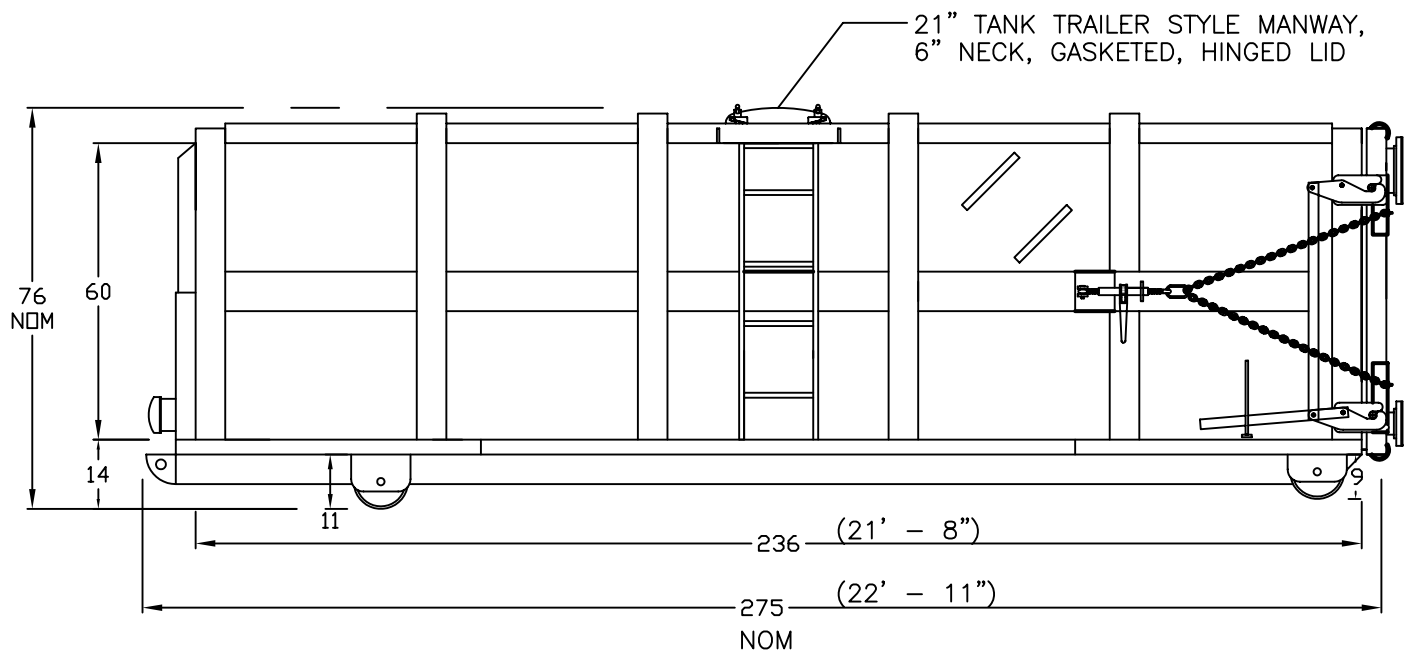
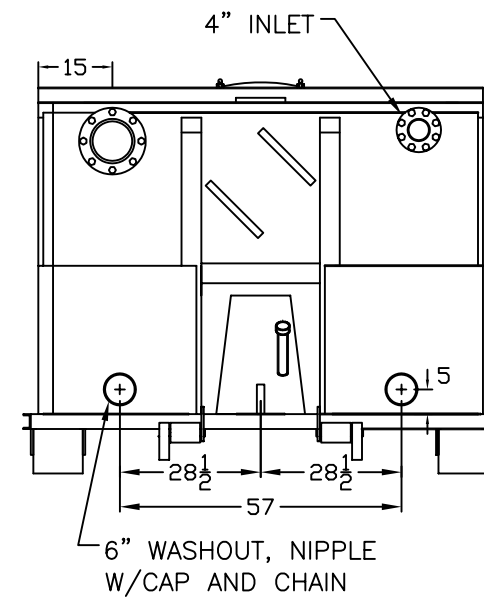


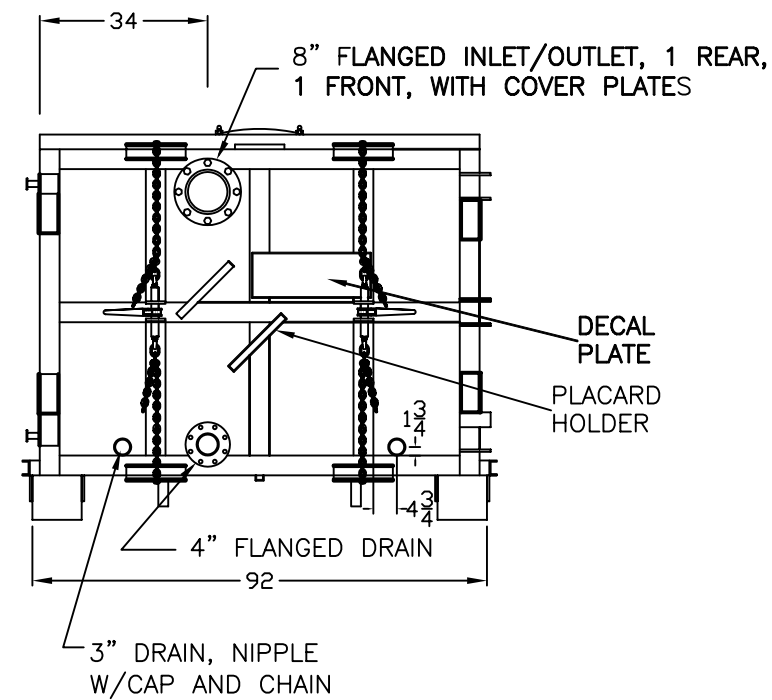
ITEM	QTY	DESCRIPTION
-	-	-
-	-	-



ACCESS LADDER




HEAVY DUTY DRAGON
VACUUM LOAD CONTAINER



VACUUM CONTAINER WITH FILTER BASKET INSTALLED (NOT SHOWN)
FRONT WHEELS 2" TALLER THAN REAR, FRONT WASHOUT PORTS,
REAR DRAINS, INSIDE LINER HOOKS FOR FILTER.

NOTES:

- THIS DRAWING IS A BASELINE REPRESENTATION FOR THIS MODEL TANK. VARIATIONS BETWEEN THE DRAWING AND THE ACTUAL EQUIPMENT IN THE FIELD CAN AND DO EXIST, PRIMARILY WITH APPURTENANCE LOCATIONS, SIZES AND QUANTITIES. CONSULT YOUR LOCAL BAKER REPRESENTATIVE IF SPECIFIC NEEDS EXIST.

The information contained herein is proprietary to Baker Tanks and shall not be reproduced or disclosed in whole or in part, or used for any design or manufacture except when user obtains direct written authorization from Baker Tanks.				 3020 OLD RANCH PARKWAY SEAL BEACH, CA 90740-2751	
G		SCALE:	SIZE	ORIGINAL DWG. DATE	
F		To Scale	B	20MAY03	
E		DRAWN BY:	APPROVED BY:	CAT/CLASS	
D		P.J.B.	-	330-3400	
C		TITLE	SHEET		
B		MODERN VACUUM DEWATERING BOX	1 OF 2		
A		DRAWING NO.	REV.		
REV.	DESCRIPTION	DATE	BY	S-5-M0009-1-0	