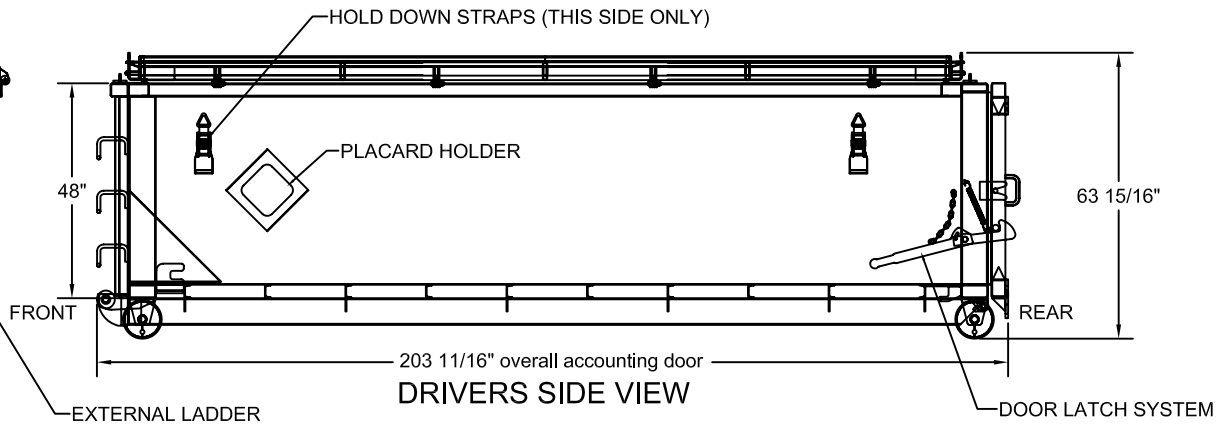
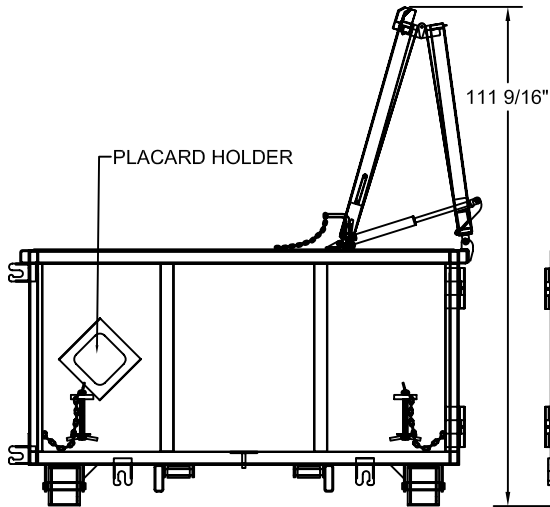


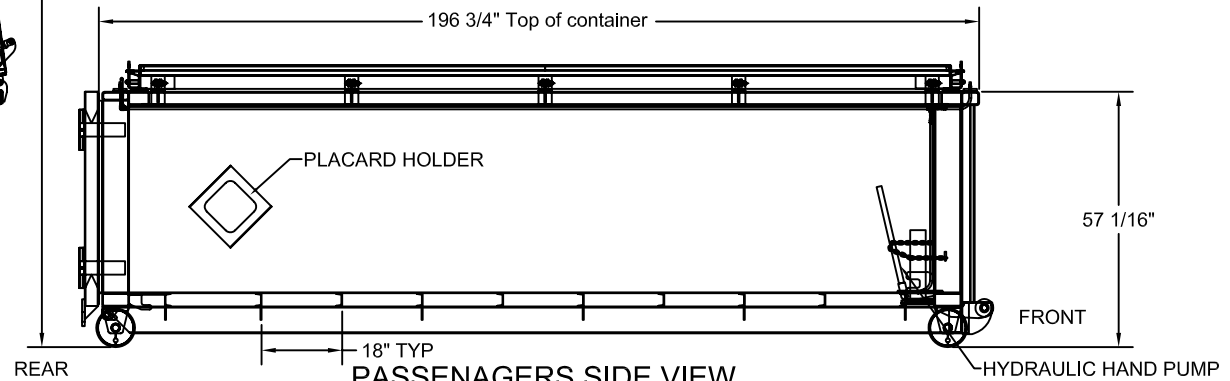
BULKHEAD VIEW



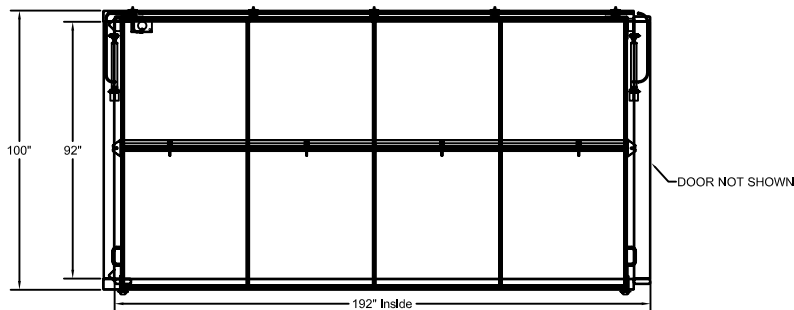
DRIVERS SIDE VIEW



TAILGATE VIEW



PASSENGERS SIDE VIEW



TOP VIEW



3020 OLD RANCH PARKWAY  
SEAL BEACH, CA 90740-2751

|           |                |                      |
|-----------|----------------|----------------------|
| SCALE: -  | SIZE A         | ORIGINAL DWG. DATE - |
| DRAWN BY: | APPROVED BY: - | CAT/CLASS -          |

The information contained herein is proprietary to Baker Tanks and shall not be reproduced or disclosed in whole or in part, or used for any design or manufacture except when user obtains direct written authorization from Baker Tanks.

| REV. | DESCRIPTION | DATE | BY |
|------|-------------|------|----|
| C    |             |      |    |
| B    |             |      |    |
| A    |             |      |    |

|             |                       |         |
|-------------|-----------------------|---------|
| TITLE       | ESP 17 YD ML ROLL OFF | SHEET - |
| DRAWING NO. | S-5-M0008-1-          | REV. -  |