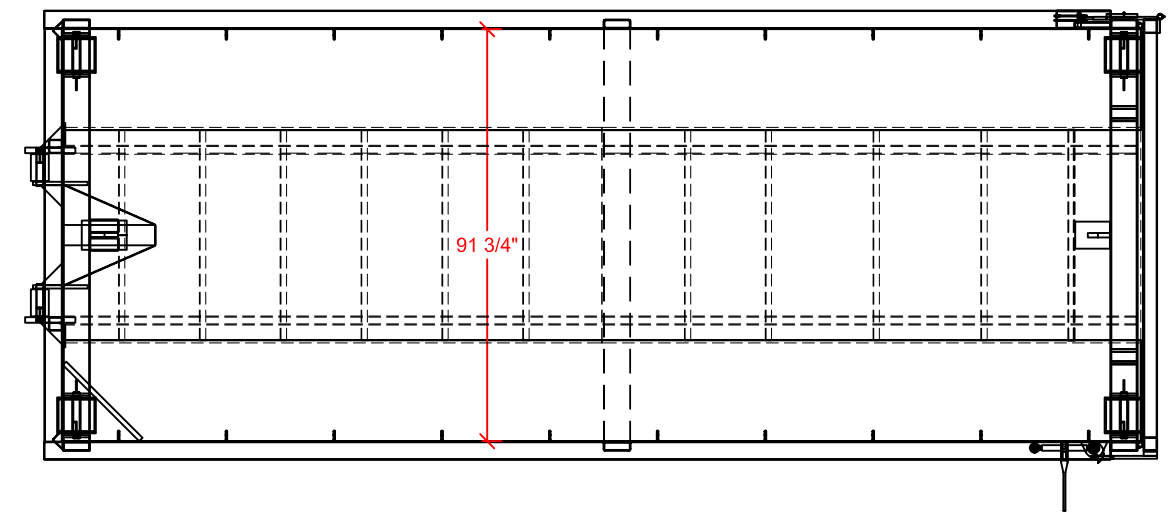


TARP for STACKABLE CONTAINER



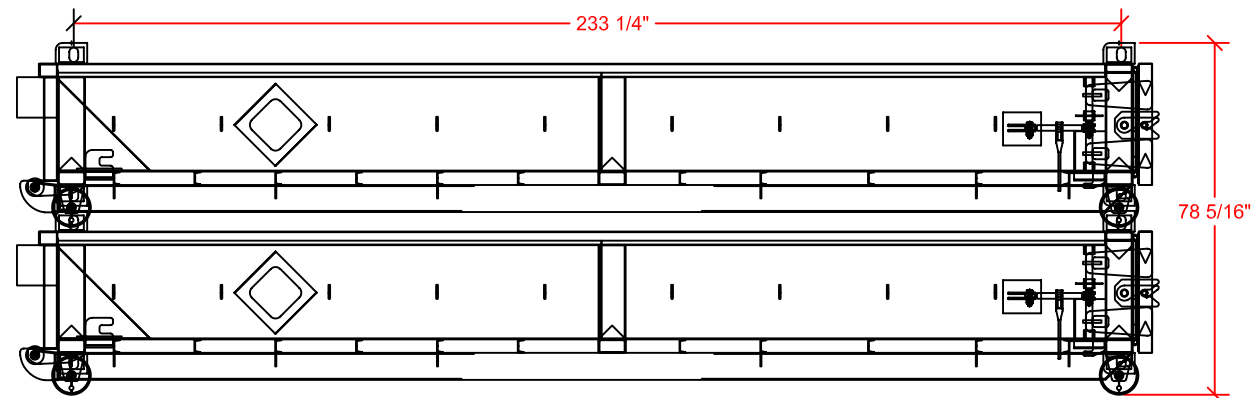
TOP VIEW

Nominal Capacity: 10 Cubic Yards

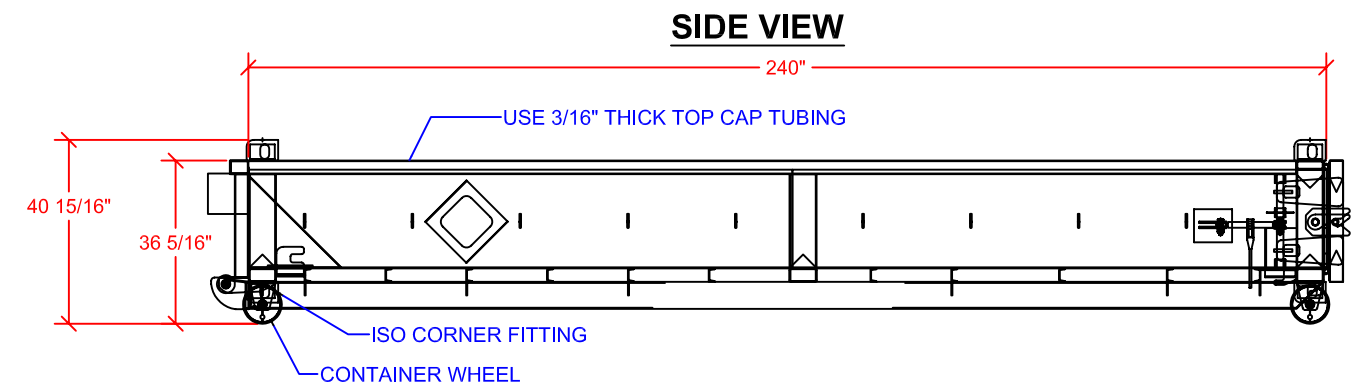


NOTES:

1. THIS DRAWING IS A BASELINE REPRESENTATION FOR THIS MODEL TANK. VARIATIONS BETWEEN THE DRAWING AND THE ACTUAL EQUIPMENT IN THE FIELD CAN AND DO EXIST, PRIMARILY WITH APPURTENANCE LOCATIONS, SIZES AND QUANTITIES. CONSULT YOUR LOCAL BAKER REPRESENTATIVE IF SPECIFIC NEEDS EXIST.

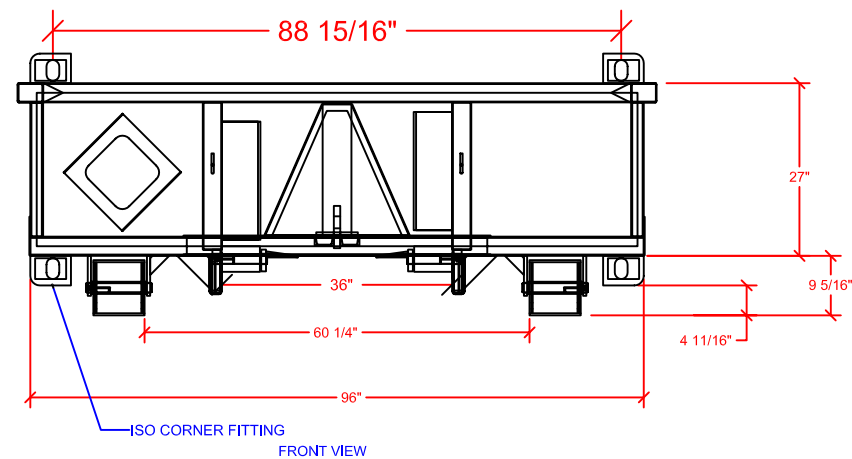


SIDE VIEW - STACKED




SIDE VIEW

FRONT VIEW  
(Scale is different from other views)



ISO CORNER FITTING  
FRONT VIEW

The information contained herein is proprietary to Baker Tanks and shall not be reproduced or disclosed in whole or in part, or used for any design or manufacture except when user obtains direct written authorization from Baker Tanks.				 3020 OLD RANCH PARKWAY SEAL BEACH, CA 90740-2751		
G				SCALE:	SIZE	ORIGINAL DWG. DATE
F				Do Not Scale	B	11SEP02
E				DRAWN BY:	APPROVED BY:	CAT/CLASS
D				P.J.B.	-	220-6300
C				TITLE		SHEET
B				ESP MFG. STACKABLE ROLL OFF BOX		1 OF 1
A	FIXED LINEWEIGHT & HIDDEN LINES	7/12/05	ZER	DRAWING NO.		REV.
REV.	DESCRIPTION	DATE	BY	S-5-M0007-1-		A