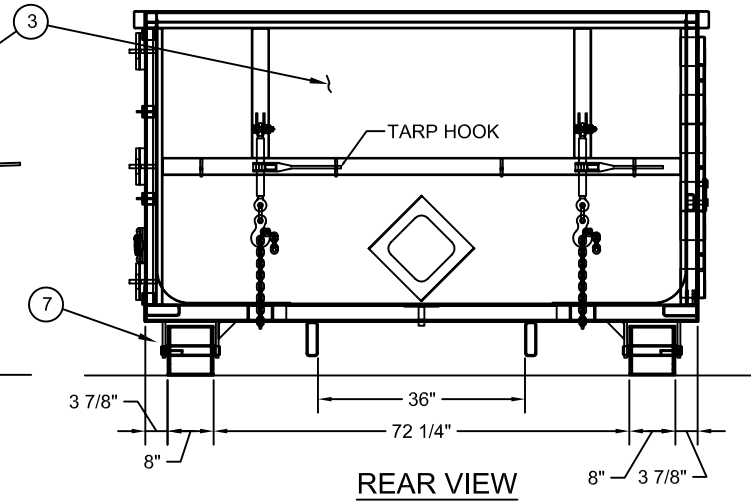
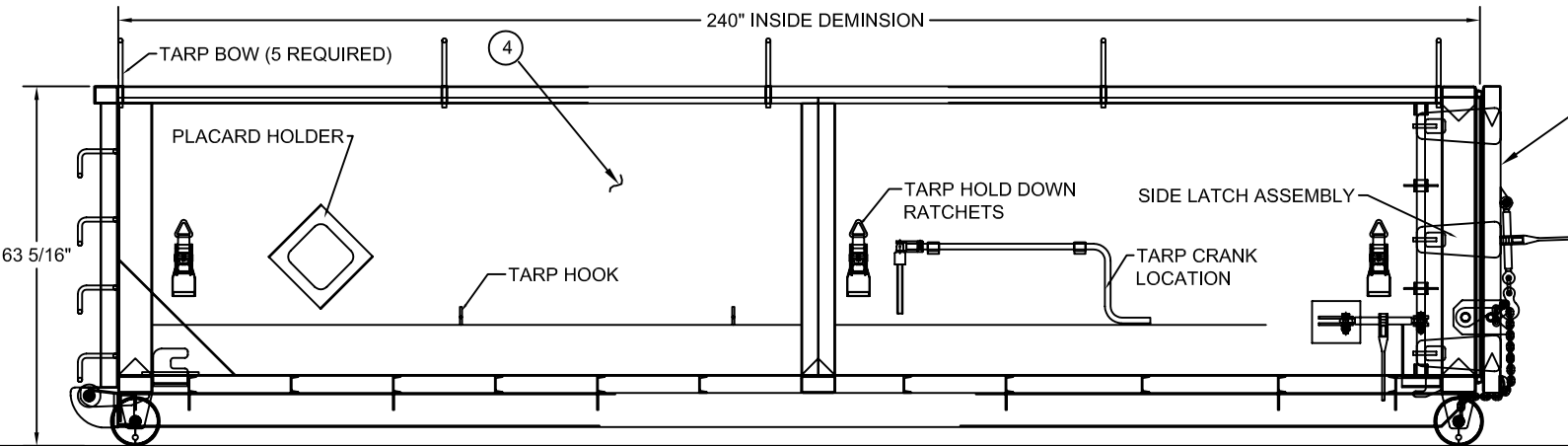
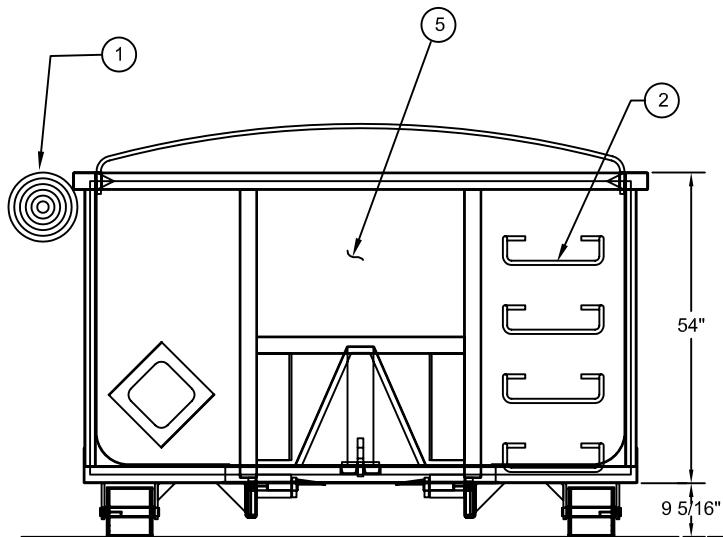
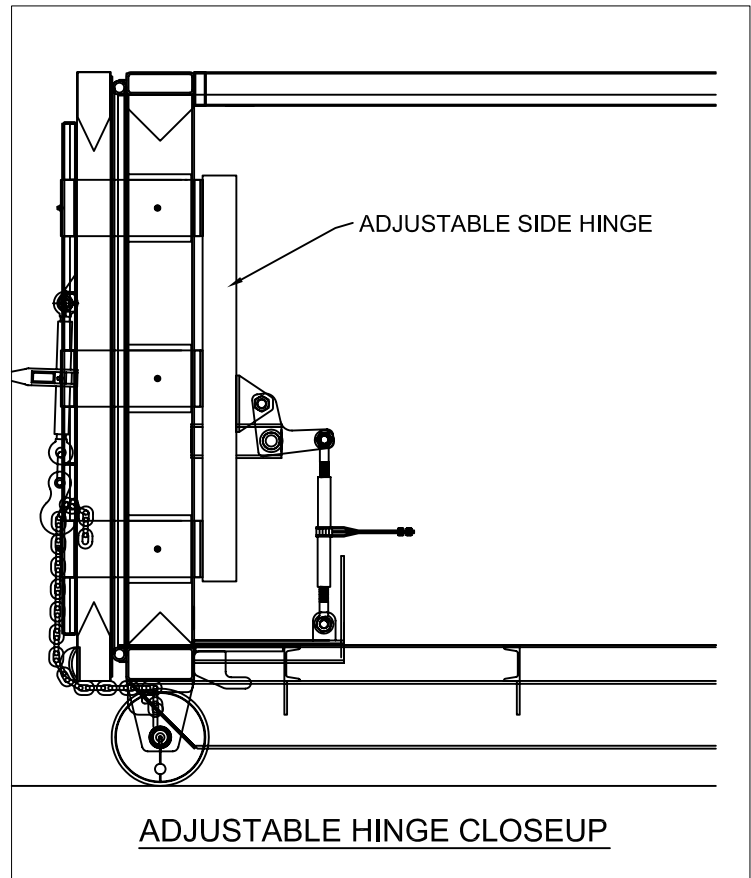
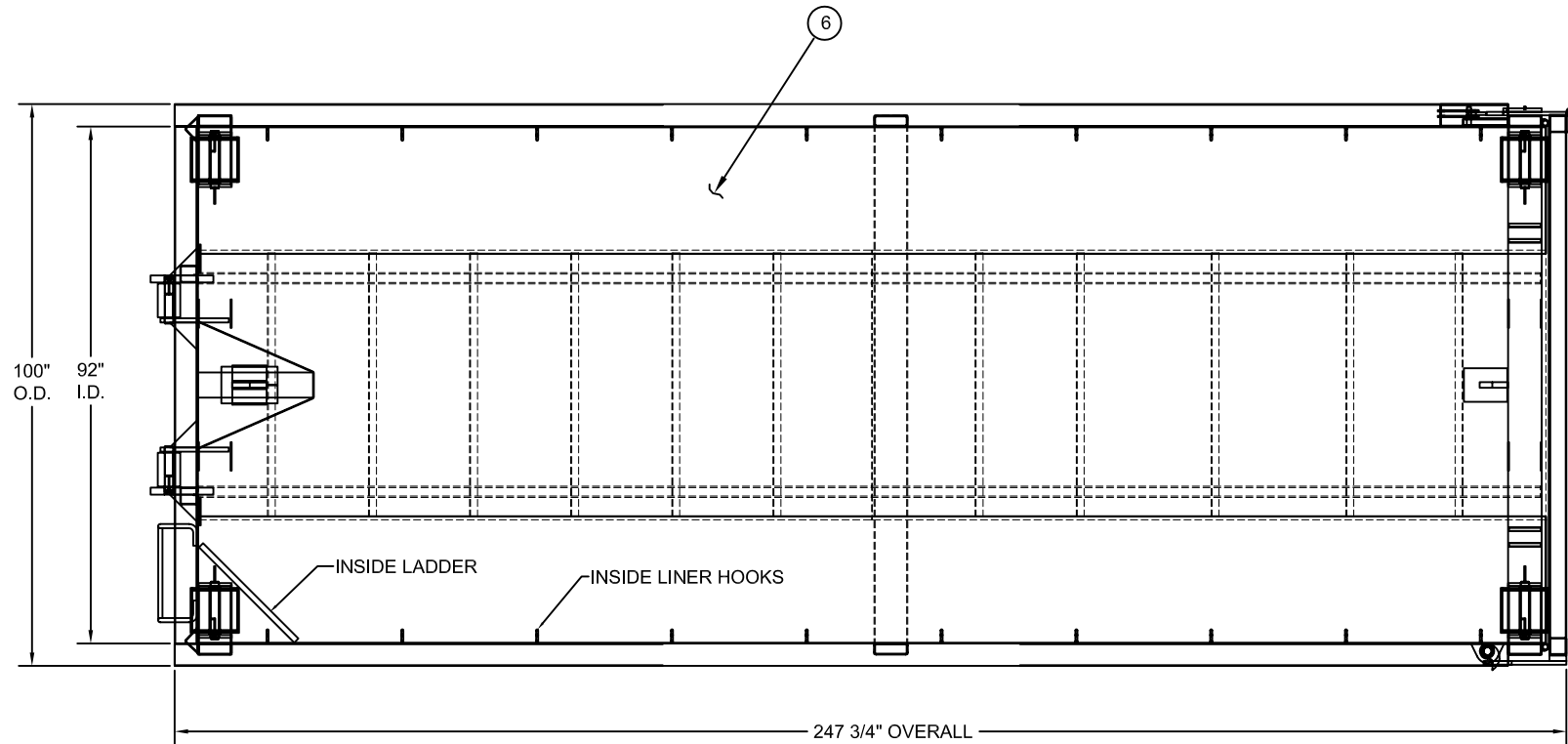


ITEM	QTY	DESCRIPTION
1	1	SIDE ROLL TARP
2	1	EXTERIOR LADDER
3	1	10 GA. DOOR W/RATCHET BINDERS, EPDM GASKET
4	2	10 GA. SIDE WITH INTERIOR LINER HOOKS
5	1	10 GA. FRONT WITH TUBING FRAME
6	1	7 GA. FLOOR
7	4	8-5/8" DIA x 8" LONG WHEELS
8	-	-



- NOTES:
- THIS DRAWING IS A BASELINE REPRESENTATION FOR THIS MODEL CONTAINER. VARIATIONS BETWEEN THIS DRAWING AND THE ACTUAL EQUIPMENT IN THE FIELD MAY EXIST. CONSULT YOUR LOCAL BAKER REPRESENTATIVE IF SPECIFIC NEEDS EXIST.
  - THIS CONTAINER IS DESIGNED FOR SOLIDS ONLY. "NO FREE LIQUIDS SHALL BE STORED OR TRANSPORTED IN IT".
  - CONTAINER IS CONSTRUCTED OF CARBON STEEL.

<p>The information contained herein is proprietary to Baker Tanks and shall not be reproduced or disclosed in whole or in part, or used for any design or manufacture except when user obtains direct written authorization from Baker Tanks.</p>						<p>3020 OLD RANCH PARKWAY SEAL BEACH, CA 90740-2751</p>	
G				SCALE:	SIZE	ORIGINAL DWG. DATE	
F				Do Not Scale	B	11JUL02	
E				DRAWN BY:	APPROVED BY:	CAT/CLASS	
D				PJB		310-3200	
C				TITLE			SHEET
B				ESP MFG. 25 CU. YD. ROLL TARP ROLL OFF			1 of 1
A	FIXED HIDDEN LINES & LINEWEIGHTS	7/12/05	Z.E.R	DRAWING NO.			REV.
REV.	DESCRIPTION	DATE	BY	S-5-M0004-1-			A