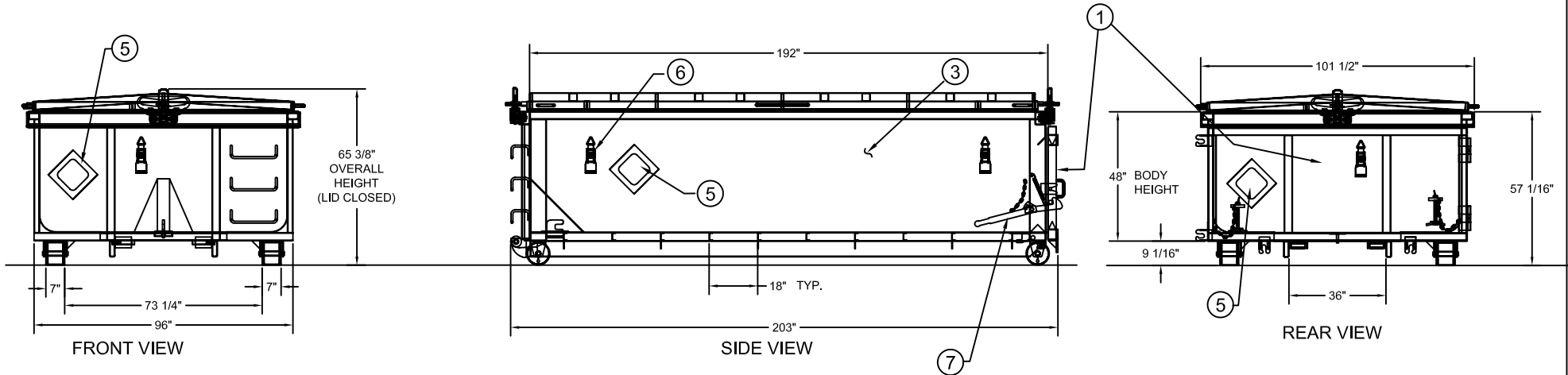


TIME \ MOTION VIEW

ITEM	QTY	DESCRIPTION
1	1	Rear door, side hinged, 10 ga. steel
2	1	Front, 10 ga. steel in tubing frame
3	1	Side, 10 ga. sheet steel
4	1	Sliding roof system w/pressure vent
5	4	Placard holder
6	6	Hold down straps
7	1	Door latching mechanism
8	1	External ladder



EMPTY WEIGHT: x,xxx lbs.

NOTES:

- THIS DRAWING IS A BASELINE REPRESENTATION FOR THIS MODEL CONTAINER. VARIATIONS BETWEEN THIS DRAWING AND THE ACTUAL EQUIPMENT IN THE FIELD MAY EXIST. CONSULT YOUR LOCAL BAKER REPRESENTATIVE IF SPECIFIC NEEDS EXIST.
- CONTAINER IS DESIGNED FOR SOLIDS ONLY. "NO FREE LIQUIDS SHALL BE STORED OR TRANSPORTED IN THIS CONTAINER."
- CONTAINER IS CONSTRUCTED OF CARBON STEEL.

The information contained herein is proprietary to Baker Tanks and shall not be reproduced or disclosed in whole or in part, or used for any design or manufacture except when user obtains direct written authorization from Baker Tanks.



3020 OLD RANCH PARKWAY
SEAL BEACH, CA 90740-2751

G				SCALE:	SIZE	ORIGINAL DWG. DATE
F				Do not scale	A	08JUL02
E				DRAWN BY:	APPROVED BY:	CAT/CLASS
D				PJB		310-1500
C				TITLE		SHEET
B				ESP MFG. 17 YD. METAL LID ROLL OFF (SIDE FLIP TOP)		1 of 1
A				DRAWING NO.		REV.
REV.	DESCRIPTION	DATE	BY	S-5-M0003-1-	0	