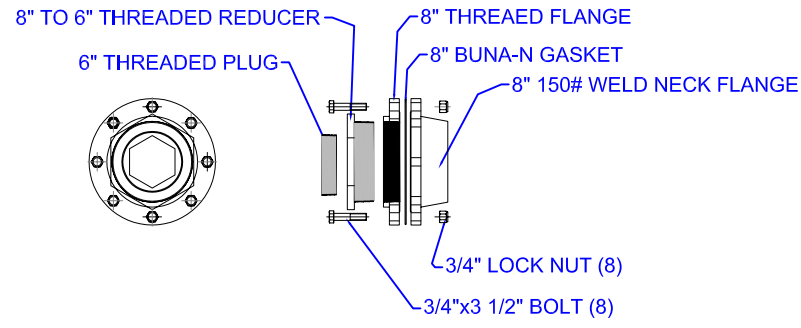
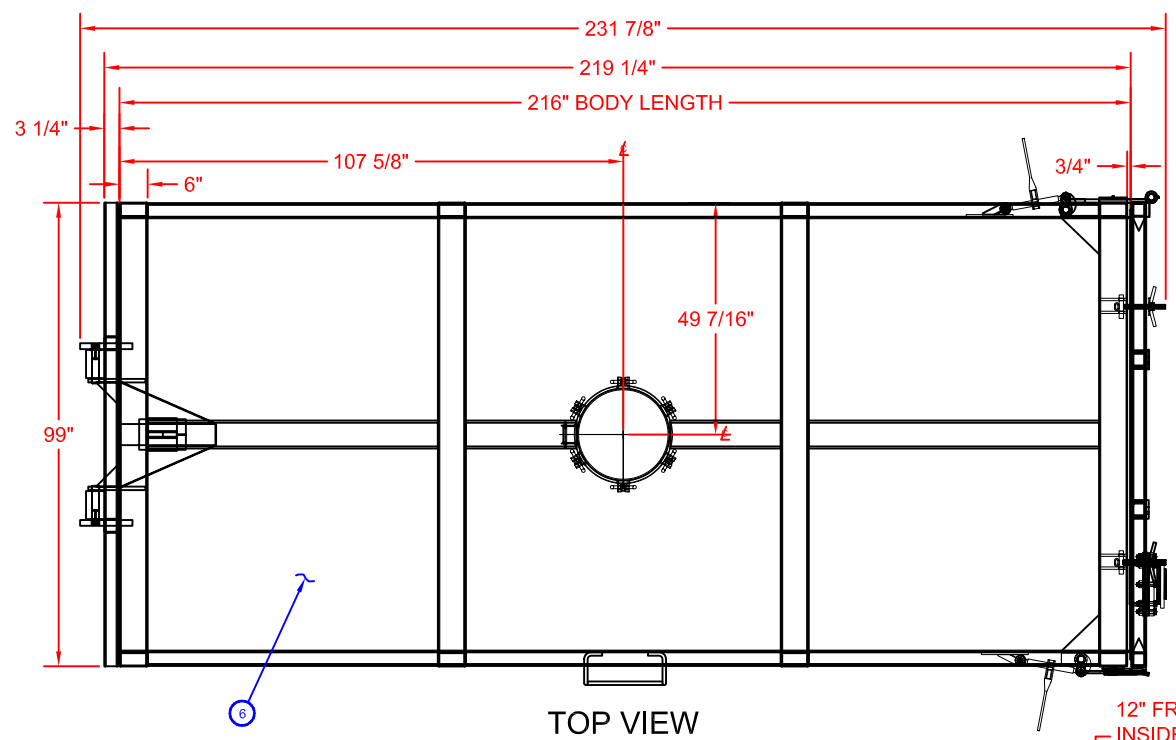


ITEM	QTY	DESCRIPTION
1	1	21 inch manway
2	4	Placard holder
3	1	1/4" plate steel door, side hinged
4	2	1/4" plate steel side walls
5	1	1/4" plate steel front wall
6	1	1/4" plate steel top with 6x3 tubing crossmembers
7	2	Internal deflectors

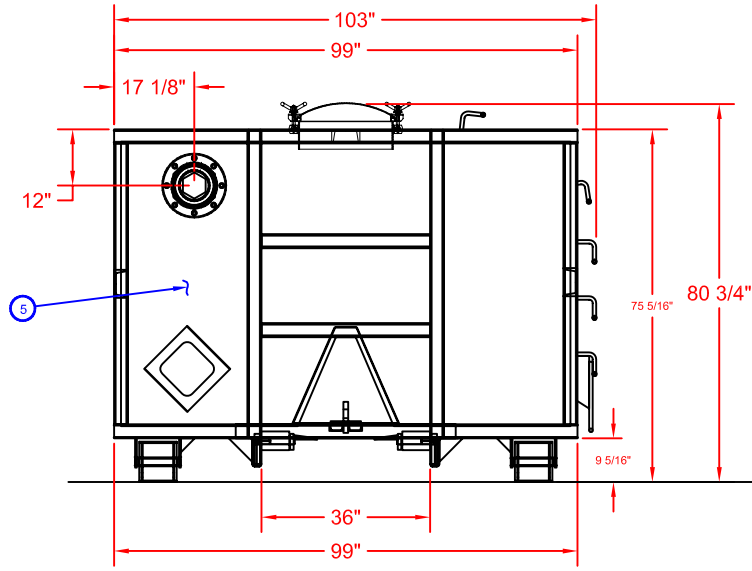


PORT DETAIL

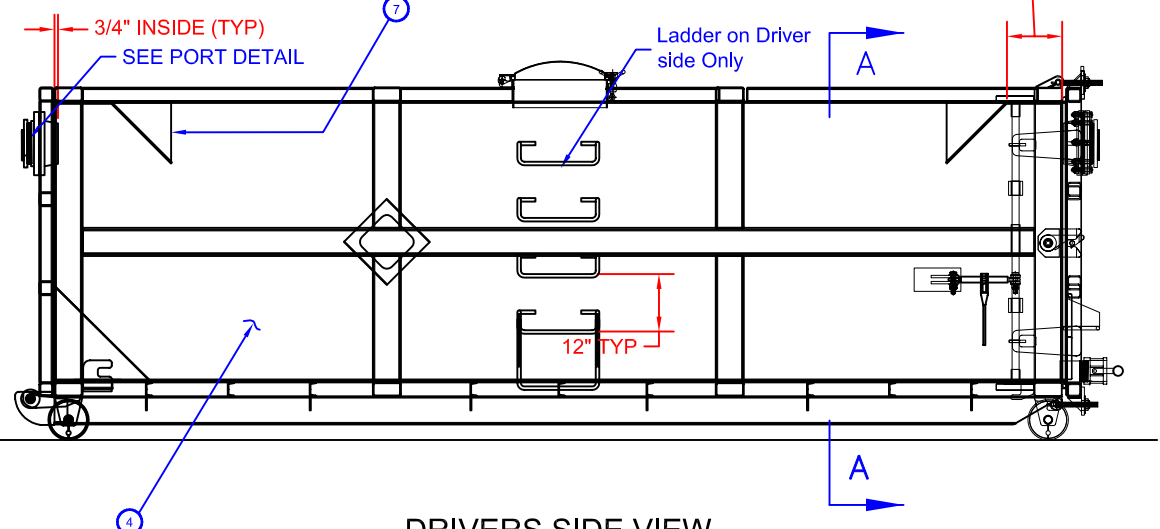
SCALE: 1/20" = 1"



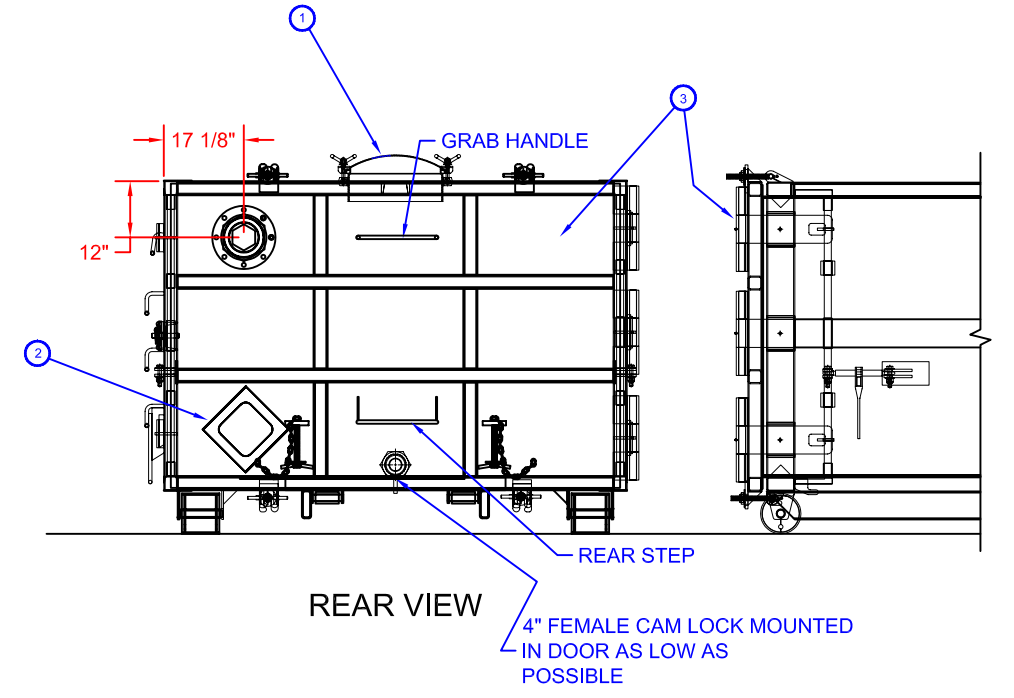
TOP VIEW



FRONT VIEW



DRIVERS SIDE VIEW



REAR VIEW

SPECIFICATIONS:

- 1) Capacity: 24.41 cu. yd. (4,930 gal.)
- 2) Weight:
- 3) Mat'l of Construction: A36 carbon steel

NOTES:

1. This drawing is a baseline representation for this model container. Variations between this drawing and the actual equipment in the field can exist. Consult your local Baker representative if specific needs exist.

The information contained herein is proprietary to Baker Tanks and shall not be reproduced or disclosed in whole or in part, or used for any design or manufacture except when user obtains direct written authorization from Baker Tanks.



3020 OLD RANCH PARKWAY  
SEAL BEACH, CA 90740-2751

G				SCALE:	SIZE	ORIGINAL DWG. DATE
F				DO NOT SCALE	B	28JUN02
E				DRAWN BY:	APPROVED BY:	CAT/CLASS
D				PJB		350-3000
C				TITLE		SHEET
B				ESP MFG 25 CU. YD. VACUUM ROLL OFF BOX		1 OF 1
A	FIXED LINEWEIGHTS	7/12/05	Z.E.R	DRAWING NO.		REV.
REV.	DESCRIPTION	DATE	BY	S-5-M0002-1-A		