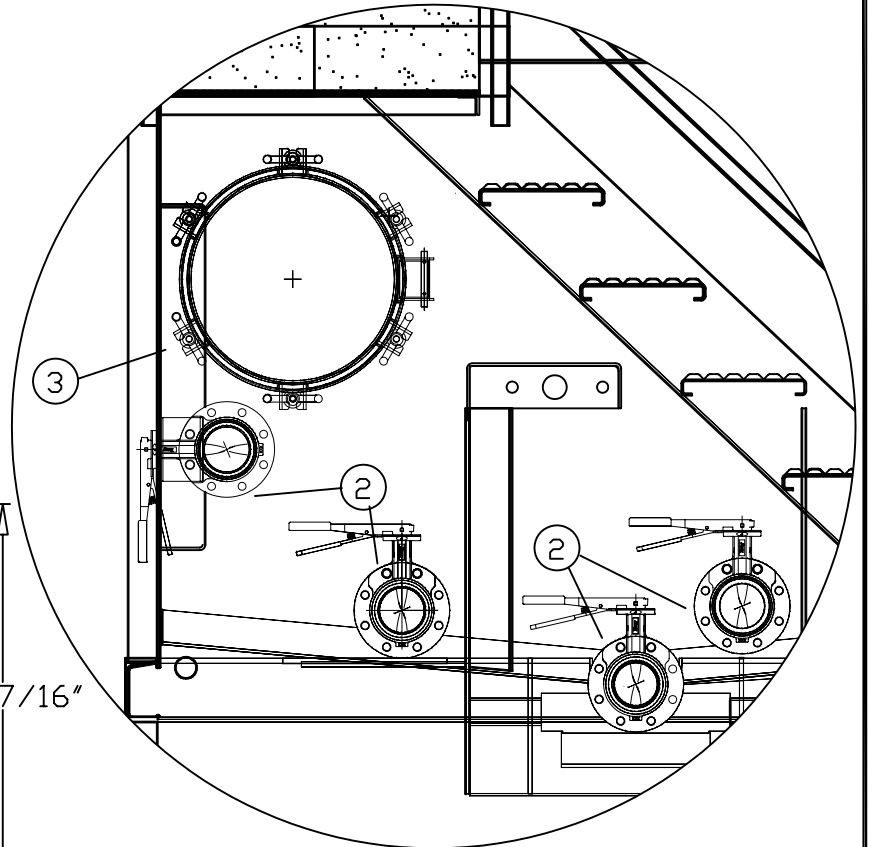


ITEM	QTY	DESCRIPTION
1	391'	4" SCH. 40 CARBON STEEL PIPE (GEL LINE)
2	5	4"-150# BUTTERFLY VALVE
3	4	21" MANWAY
4	1	BALL FLOAT LEVEL GAUGE MECHANISM
5	4	8" BLAYLOCK MODEL LL10 PRESSURE/VACUUM GAUGE
6	1	4" SCH. 40 45 DEG. ELBOW
7	1	4" SCH. 40 WELD TEE
8	1	4"x3" SCH. 40 WELD REDUCER



FRONT VIEW CLOSEUP

SPECIFICATIONS:

- 1) TANK CAPACITY: 19,194 GAL (457 BBL.)
- 2) TANK WEIGHT: 29,500 LBS.

NOTES:

1. THIS DRAWING IS A BASELINE REPRESENTATION FOR THIS MODEL TANK. VARIATIONS BETWEEN THE DRAWING AND THE ACTUAL EQUIPMENT IN THE FIELD CAN AND DO EXIST, PRIMARILY WITH APPURTENANCE LOCATIONS, SIZES AND QUANTITIES. CONSULT YOUR LOCAL BAKER REPRESENTATIVE IF SPECIFIC NEEDS EXIST.
2. THIS TANK IS TO BE TRANSPORTED WHILE EMPTY ONLY. IT IS NOT DESIGNED TO TRANSPORT LOADS.
3. MOST TANKS OF THIS TYPE HAVE AN INTERNAL LINING (COATING).

The information contained herein is proprietary to Baker Tanks and shall not be reproduced or disclosed in whole or in part, or used for any design or manufacture except when user obtains direct written authorization from Baker Tanks.



3020 OLD RANCH PARKWAY  
SEAL BEACH, CA 90740-2751

G			
F			
E			
D			
C			
B	FIXED CUTOUTS, LINEWEIGHTS, & TEXT	7/12/05	Z.E.R
A	Revised top view and removed rear hatch	9/7/04	PJB
REV.	DESCRIPTION	DATE	BY

SCALE:	DO NOT SCALE	SIZE	B	ORIGINAL DWG. DATE	17JUN02
DRAWN BY:	PJB	APPROVED BY:		CAT/CLASS	110-1200
TITLE	ESP MFG. FIXED AXLE TANK (WITH GEL LINE)			SHEET	1 OF 1
DRAWING NO.	S-2-M0002-1-			REV.	B