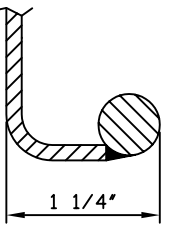
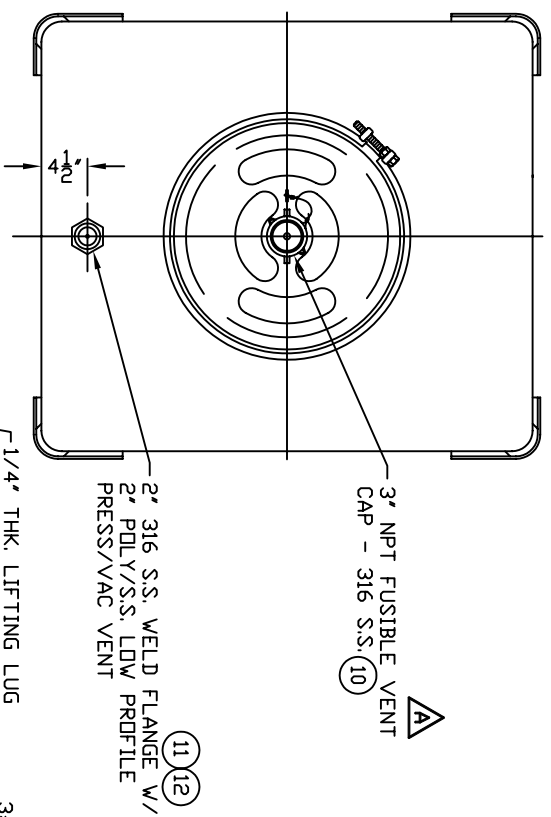


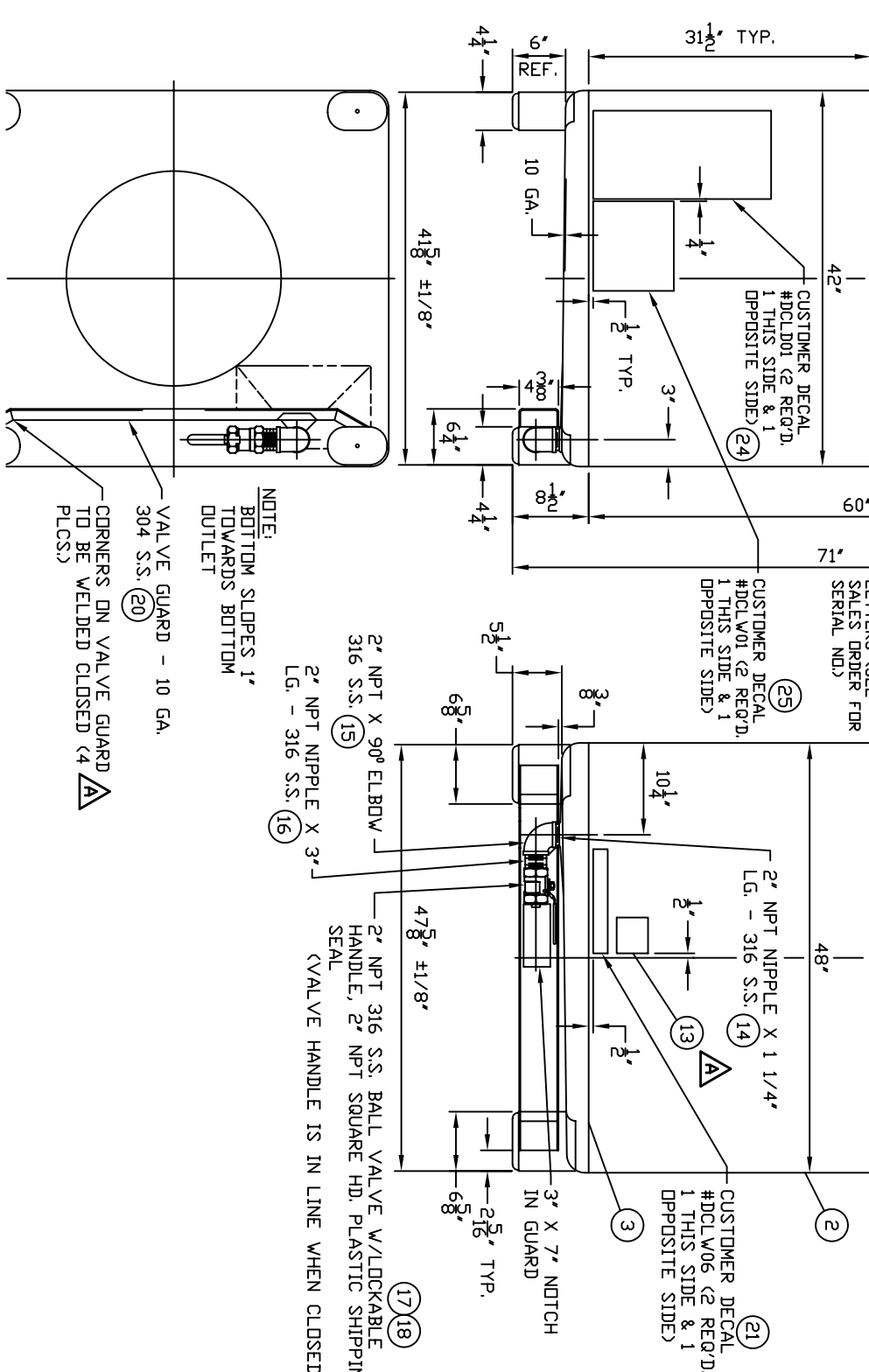
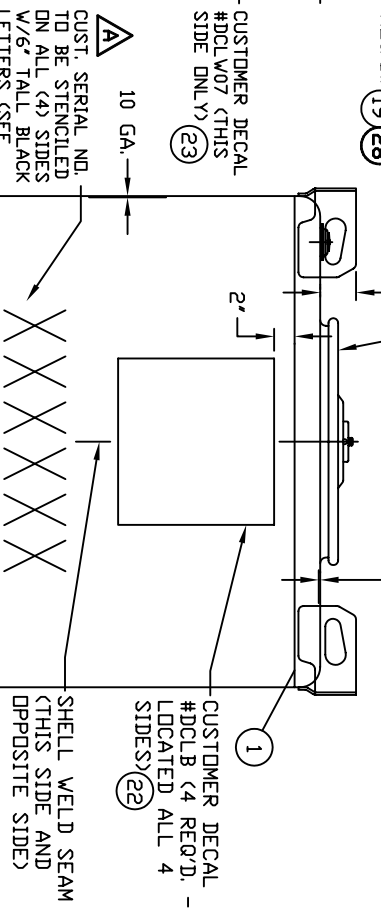
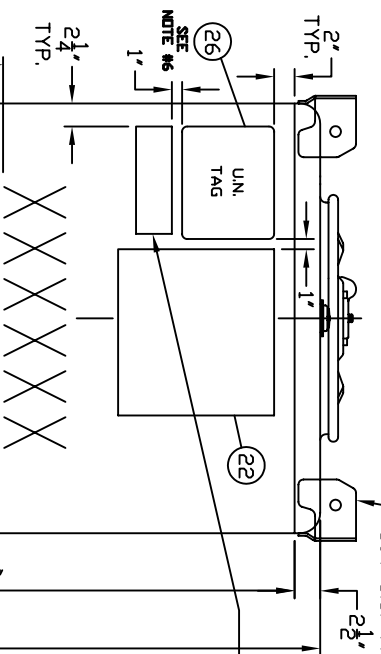
**DRUM NECK SECTION**



WEIGHT: 645 lbs. (empty)  
 WETTED PARTS: 316 S.S.  
 P/V VALVE: Press 5 psi, Vac 0.5 psi



22 1/2" DIA. NOM. DRUM OPENING ASS'Y.  
 W/316 S.S. DRUM COVER W/EYEBROWS, BLK.  
 EPDM MULTI-SEAL GASKET, PLATED STL.  
 CLAMP RING, PLATED STL. BOLT, PLATED  
 STL. NUT, AND 1/2" DIA. ROUND 316 S.S.  
 DRUM NECK ROD

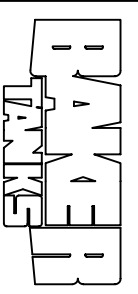


ITEM NO.	QTY.	PART NO.	DESCRIPTION
1	1	76230120	TOP - 10 GA. 316 S.S.
2	2 PCS.	76230255	SHELL - 10 GA. 316 S.S.
3	1	76220218	BOTTOM HEAD ASSEMBLY - W/LEGS - 10 GA. 316 S.S.
4	1	76220013	DRUM COVER - 22 1/2" DIA. W/EYEBROWS, 3" NIPPLE, AND WIRE SEAL LUG - 316 S.S.
5	1	762240430	GASKET - 22 1/2" DIA. MULTI-SEAL - BLACK EPDM
6	1	762240001	BOLTED CLAMP RING - PLATED STL.
7	1	762240002	BOLT - 5/8" NC HEX HD. X 5" LG. - PLATED STL.
8	1	762240033	NUT - 5/8" NC HEX HD. - PLATED STL.
9	1	76230131	DRUM NECK ROD - 1/2" DIA. X 22 3/8" LD. - 316 S.S.
10	1	762240037	FUSIBLE VENT CAP - 3" NPT W/LANYARD - 316 S.S.
11	1	762240048	2" WELD FLANGE - 316 S.S.
12	1	762240592	2" LOW PROFILE PRESS/VAC VENT - POLY/S.S.
13	1	762240718	DECAL - VALVE HANDLE CONFIGURATION
14	1	762240495	NIPPLE - 2" NPT X 1 1/4" LG. - 316 S.S. (T.D.E.)
15	1	762240097	ELBOW - 2" NPT X 90° (150#) - 316 S.S.
16	1	762240100	NIPPLE - 2" NPT X 3" LG. - 316 S.S. (T.B.E.)
17	1	762240014	BALL VALVE - 2" NPT W/LOCKABLE HANDLE - 316 S.S.
18	1	762240436	SHIPPING SEAL - 2" NPT SQUARE HD. - PLASTIC
19	2	76230103	LIFTING LUG - LEFT - 1/4" THK. FORMED - 304 S.S.
20	1	76230349	VALVE GUARD - 10 GA. FORMED - 304 S.S.
21	2	BY CUST.	DECAL #DCLW06
22	4	BY CUST.	DECAL #DCLB
23	1	BY CUST.	DECAL #DCLW07
24	2	BY CUST.	DECAL #DCLD01
25	2	BY CUST.	DECAL #DCLW01
26	1	762240729	UN. TAG - 304 S.S.
27	1	762240427	*NOTICE TO CUSTOMER* DRANGE CARDBOARD TAG
28	2	76230922	LIFTING LUG - RIGHT - 1/4" THK. FORMED - 304 S.S.

**NOTES:**

1. REMOVE ALL BURRS AND SHARP EDGES.
2. 2" LARGE RADIUS 1 PIECE TOP & BOTTOM HEAD W/LARGE CONTOUR FABRICATED LEGS.
3. MATERIAL OF CONSTRUCTION IS 316 STAINLESS STEEL (2B/2 SIDES) IN PRODUCT CONTACT AREA W/A BALANCE OF 304 S.S. (2B/2 SIDES) AND NOTED.
4. INSIDE OF TANK IS TO BE WIPED CLEAN AND DRY AT FINAL ASS'Y.
5. \*NOTICE TO CUSTOMER\* TAG IS TO BE WIRED TO CLAMP RING AT FINAL ASS'Y.
6. CUSTOMER SERIAL NO. TO BE ENGRAVED IN THE CUSTOMER SERIAL NO. BLOCK ON THE UN. TAG. NUMBER IS TO MATCH SERIAL NO. STENCILED ON THE SIDES OF TANK. (SEE SALES ORDER FOR NUMBERS)
7. ATTENTION SHIPPER: IT IS THE SHIPPERS RESPONSIBILITY TO MAKE SURE THE FOLLOWING FITTINGS ARE PROPERLY TIGHTENED TO THE SPECS LISTED BELOW TO INSURE AN ADEQUATE SEAL.
  - A. BOLTED CLAMP RING - TORQUE TO 30 FT./LBS.
  - B. 2" BUNG FITTING - TORQUE TO 30 FT./LBS.
  - C. 3" FUSIBLE CAP - TORQUE TO 60 FT./LBS.

The information contained herein is proprietary to Baker Tanks and shall not be reproduced or disclosed in whole or in part, or used for any design or manufacture except when user obtains direct written authorization from Baker Tanks.



3020 OLD RANCH PARKWAY  
 SEAL BEACH, CA 90740-2751

REV.	DESCRIPTION	DATE	BY
G			
F			
E			
D			
C			
B			
A			

SCALE:	Do Not Scale	SIZE:	B	ORIGINAL DWG. DATE:	05SEP02
DRAWN BY:	P.J.B.	APPROVED BY:	-	CAT/CLASS:	170-0500 170-0550
TITLE:	PLYMOUTH IBC 550 SS TOTE	SHEET:	1 OF 1		
DRAWING NO.:	S-8-M0002-1-	REV.:	0		