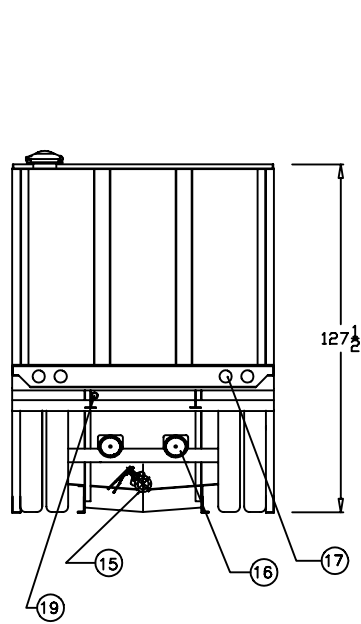
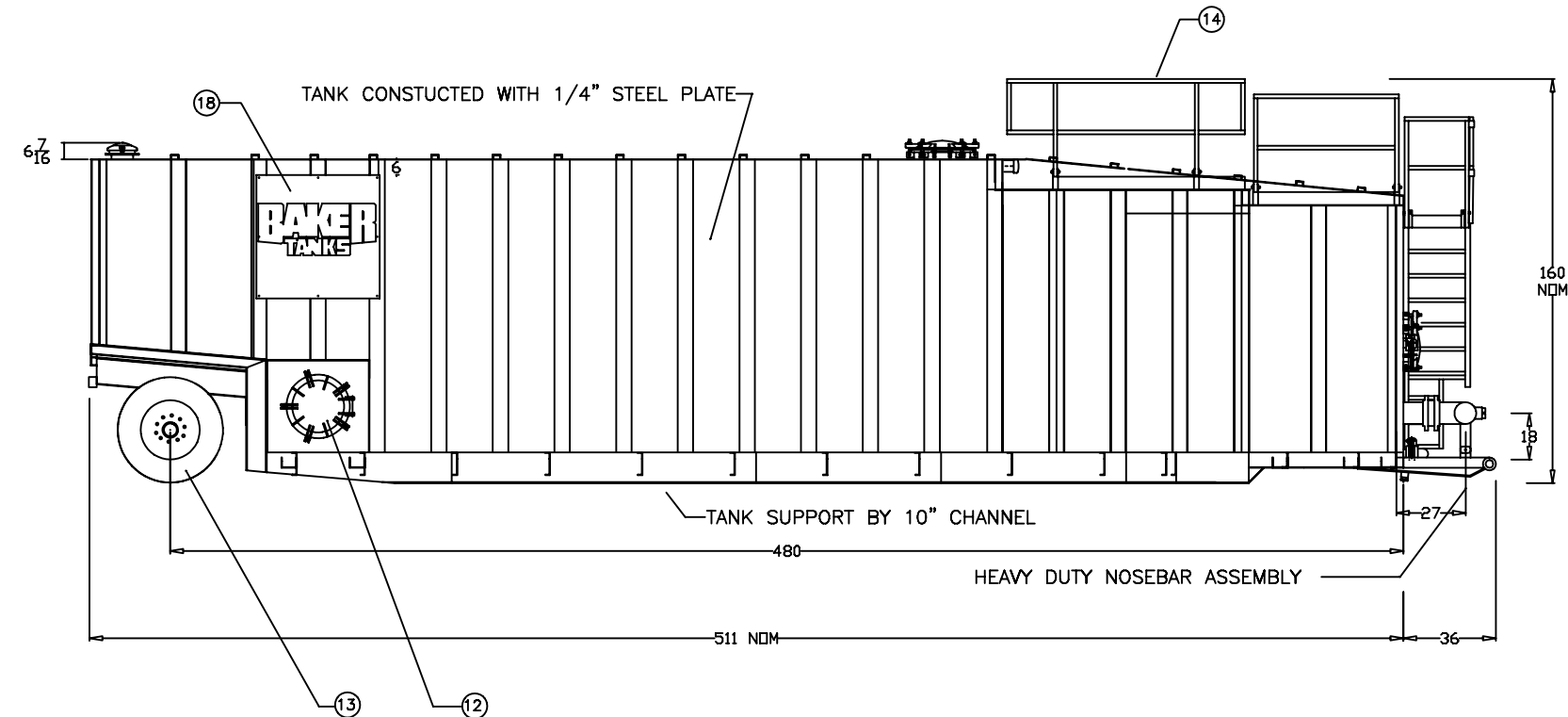


TOP VIEW

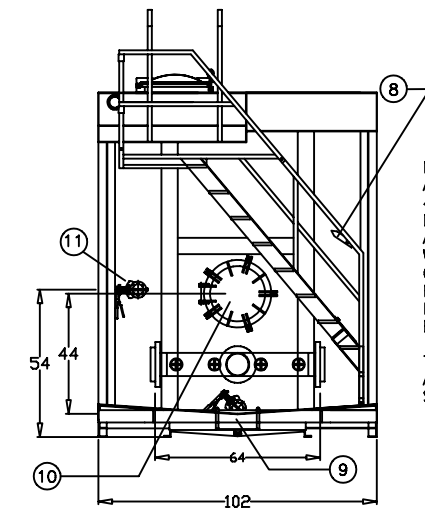
- 1) FLANGE MOUNT BLAYLOCK LL10 P/V VENT 160Z SETTING, BAKER SPEC
- 2) 4" FLANGE WITH BLIND CAP AND CHAIN
- 3) 1 1/2" COUPLING WITH PLUG
- 4) MANWAY WITH INTERNAL BARS, 21 1/2" ID, DOMED LID
- 5) 3" NIPPLE WITH CAP AND CHAIN
- 6) SAFETY WALK WAY
- 7) ACCESS STAIRS
- 8) LEVEL GAUGE W/2-8" STAINLESS STEEL BALL "Y" SUPPORT HOLDS BALLS 1/2" OFF FLOOR
- 9) FRONT DRAIN W/VALVE, BULL PLUG, CHAIN
- 10) MANWAY, 21 1/2" ID, DOMED LID
- 11) 4" FLANGE, VALVE, THREADED FLANGE, BULL PLUG, CHAIN
- 12) MANWAY, 21 1/2" ID, DOMED LID
- 13) 11.00 X 22.5 TUBLESS TIRE ON 10 HOLE STEEL WHEEL
- 14) FOLDING HAND RAILS
- 15) 4" FLANGE, VALVE, THREADED FLANGE, BULL PLUG, CHAIN REMOTE OPERATION HANDLE
- 16) 25K AXLE, AUTOMATIC SLACK ADJUSTERS, TOP MOUNTED 30 SERVICE CHAMBERS, OUTBOARD DRUMS, HUTCH 9700 SUSPENSION, 3 LEAF HIGH ARCH SPRINGS DOT TAIL LIGHTS AND LOWER MARKER LIGHTS, NO TOP LIGHTS
- 17) 48X48 BOLTED PLATE
- 18) 1" X 6" PIPE W/WELDED CAP & THREADED CAP



REAR VIEW



SIDE VIEW



FRONT VIEW

NOTE:
 ALL VALVES BRAY SERIES 30, CAST IRON BODY, 416SS STEM, BUNA-N SEAT, NYLON 11 COATED DUCTILE IRON DISC, HANDLES AS SHOWN. ALL WALL AND ROOF RIBS TO BE CONTINUOUSLY WELDED, ALL TANK SHELL SEAMS TO BE WELDED ON BOTH SIDES. RAILINGS, STAIRS & WALKWAY TO MEET OSHA STDS. INTERIOR COATED PER BAKER SPEC 8.2 EXTERIOR COATED PER BAKER SPEC 7.6 100% CAPACITY WATER TEST 7 PIN ROUND LIGHT PLUG ALL SHELL 1/4" A-36 STEEL, V-BOTTOM SOME ITEMS MAY NOT BE SHOWN IN ALL VIEWS

NOTES:
 8" INSIDE CONNECTION WITH FLANGED 90 DEG TURN DOWN, 2" OFF FLOOR, MITERED UPPER 4" FITTED INSIDE WITH FLANGED STEEL GEL LINE GEL LINE U-BOLTED TO PIPE SUPPORTS STAIRS FITTED WITH LOWER 1/2 WIDTH SECTION REMOVABLE TO REPLACE WITH FULL WIDTH STEP OPTION

- SPECIFICATIONS:
- 1) TANK CAPACITY: 20,000 GAL (500 BBL.)
 - 2) TANK WEIGHT: 25,500 LBS.

- NOTES:
1. THIS DRAWING IS A BASELINE REPRESENTATION FOR THIS MODEL TANK. VARIATIONS BETWEEN THE DRAWING AND THE ACTUAL EQUIPMENT IN THE FIELD CAN AND DO EXIST, PRIMARILY WITH APPURTENANCE LOCATIONS, SIZES AND QUANTITIES. CONSULT YOUR LOCAL BAKER REPRESENTATIVE IF SPECIFIC NEEDS EXIST.
 2. THIS TANK IS TO BE TRANSPORTED WHILE EMPTY ONLY. IT IS NOT DESIGNED TO TRANSPORT LOADS.
 3. MOST TANKS OF THIS TYPE HAVE AN INTERNAL LINING (COATING).

The information contained herein is proprietary to Baker Tanks and shall not be reproduced or disclosed in whole or in part, or used for any design or manufacture except when user obtains direct written authorization from Baker Tanks.						3020 OLD RANCH PARKWAY SEAL BEACH, CA 90740-2751	
G				SCALE:	SIZE	ORIGINAL DWG. DATE	
F				Do Not Scale	B	10SEP02	
E				DRAWN BY:	APPROVED BY:	CAT/CLASS	
D				P.J.B.	-	110-XXXX	
C				TITLE			SHEET
B				MODERN MFG. "V" BOTTOM FIXED AXLE TANK			1 OF 1
A	Fixed lineweight and text	7/12/05	ZER	DRAWING NO.			REV.
REV.	DESCRIPTION	DATE	BY	S-2-M0007-1-			A