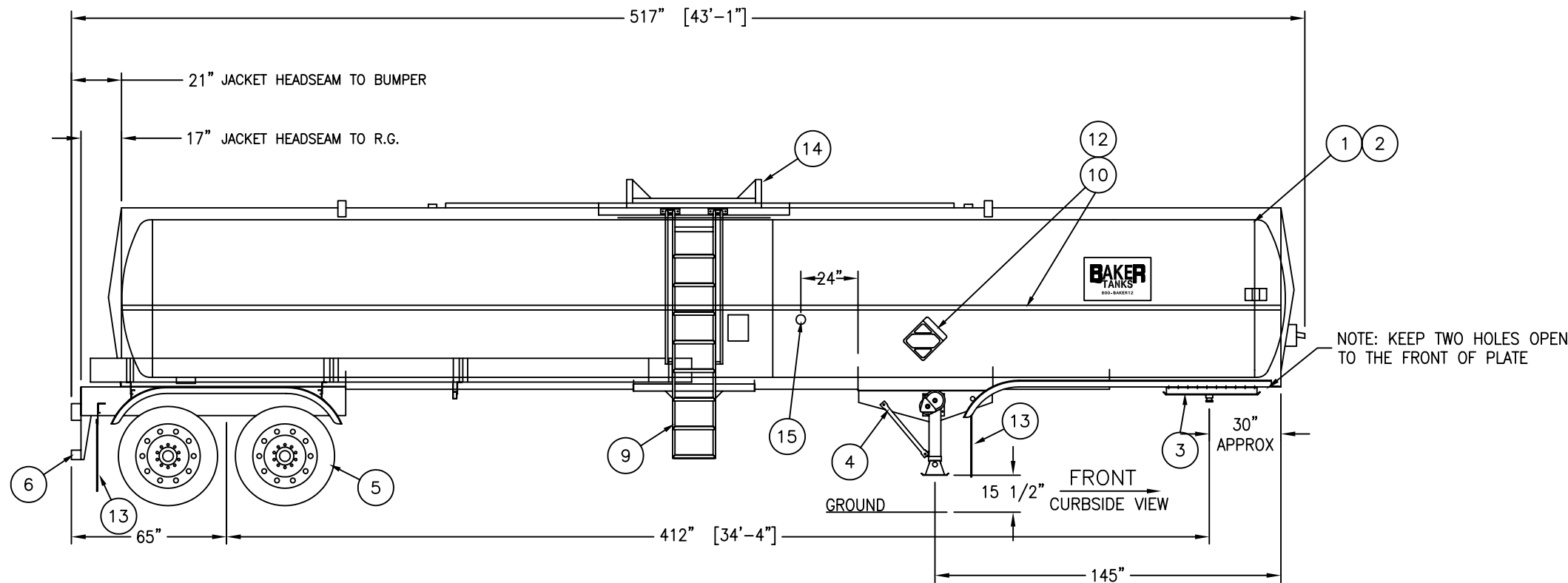


REAR VIEW
(Not to scale)

SPECIFICATIONS
 Capacity - 7000 Gallons (nominal)
 Empty Weight: 12,900 lbs.
 MAWP: 25 PSIG
 Test Pressure 45 PSI.
 Max. Operating Temperature 300°F
 Shell Material: 316L Stainless Steel



ITEM	QTY	PART NUMBER	DESCRIPTION	MATERIAL
18	1	A-VE-D-1258	VAPOR RECOVERY ASSEMBLY	BM
17	---	N/A	PAINT: DUPONT IMRON 5000 BLACK #N0001	-----
16	---	N/A	DUPONT TUFLOC PRIMER #1856S	-----
15	1	P-TH-A-202	0-300° F. CLIP-ON THERMOMETER	-----
14	1	A-IN-B-998	SPILLDAM DRAIN INSTALLATION	BM
13	4	P-MF-A-40	BRENNER MUDFLAPS	PLASTIC
12	1	A-IN-D-621	DECAL INSTALLATION	BM
11	1	A-VE-C-1257	VENTING ASSEMBLY	BM
10	1	A-NP-C-1631	SIGNPLATE MOUNTING ASSEMBLY	BM
9	1	A-L-D-3876	LADDER, WALKWAY AND HOSE TUBE ASSEMBLY	BM
8	1	S-C-27022-02	LIGHTS AND WIRING ASSEMBLY	BM
7	1	A-FE-D-3477	FENDER ASSEMBLY L=129"	BM
6	1	S-D-25022	BUMPER ASSEMBLY	BM
5	1	A-RG-X-3490	RUNNING GEAR ASSEMBLY (A-FR-C-1893)	BM
4	1	A-LG-C-1519	LANDING GEAR ASSEMBLY	BM
3	1	A-FW-B-166	U.F.W. DETAIL ASSEMBLY (A-FW-D-77)	BM
2	1	A-FA-D-3097	FRAME ASSEMBLY	BM
1	1	A-SA-D-4859	SHELL ASSEMBLY	BM

	REAR
GROUND TO 5th WHEEL	50"
5th WHEEL HEIGHT	3 5/16"
5th WHEEL TO SHELL	4"
SHELL THICKNESS (times 2)	1/4"
SHELL I.D.	66 1/16"
INSULATION THICKNESS	5"
OVERTURN HEIGHT (or highest point)	11 7/8"
SLOPE FROM HEADSEAM TO HIGHEST PROTRUSION (L=207")	-1 3/4"
OVERALL HEIGHT	138 3/4" (11'-6 3/4")

	REAR
TIRE RADIUS	20.8"
SUSPENSION MT'G. HEIGHT	17"
RUNNING GEAR FRAME HEIGHT	12"
RUNNING GEAR FRAME TO SHELL	4"
SLOPE FRONT TO REAR =	.0087" / INCH

- NOTES**
- 20" full-opening manhole at top.
 - Full length steam heat, 304SS channels, 150 psi design working pressure, inlet & outlet at front.
 - Emergency valve: 4"x3"x90 deg. SS Betts valve
 - Vents: (1) 3" Girard pressure relief, 25 psi MAWP; and (1) 3" Girard magnetic vacuum breaker.
 - Vapor Recovery: (1) 3"x2" tee style hydraulic valve
 - Insulation: 6" fiberglass compressed to 5".

REV.	DESCRIPTION	DATE	BY
G			
F			
E			
D			
C			
B			
A			

The information contained herein is proprietary to Baker Tanks and shall not be reproduced or disclosed in whole or in part, or used for any design or manufacture except when user obtains direct written authorization from Baker Tanks.

BAKER TANKS 3020 OLD RANCH PARKWAY
SEAL BEACH, CA 90740-2751

SCALE: To Scale	SIZE B	ORIGINAL DWG. DATE 10NOV03
DRAWN BY: P.J.B.	APPROVED BY: -	CAT/CLASS 500-10xx
TITLE BRENNER TANK TRAILER DOT 407		SHEET 1 OF 1
DRAWING NO. S-4-M0001-1-		REV. 0