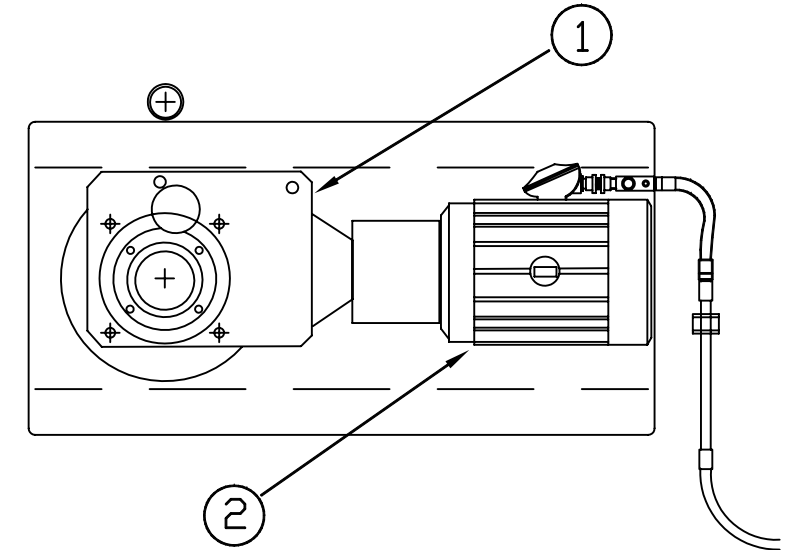
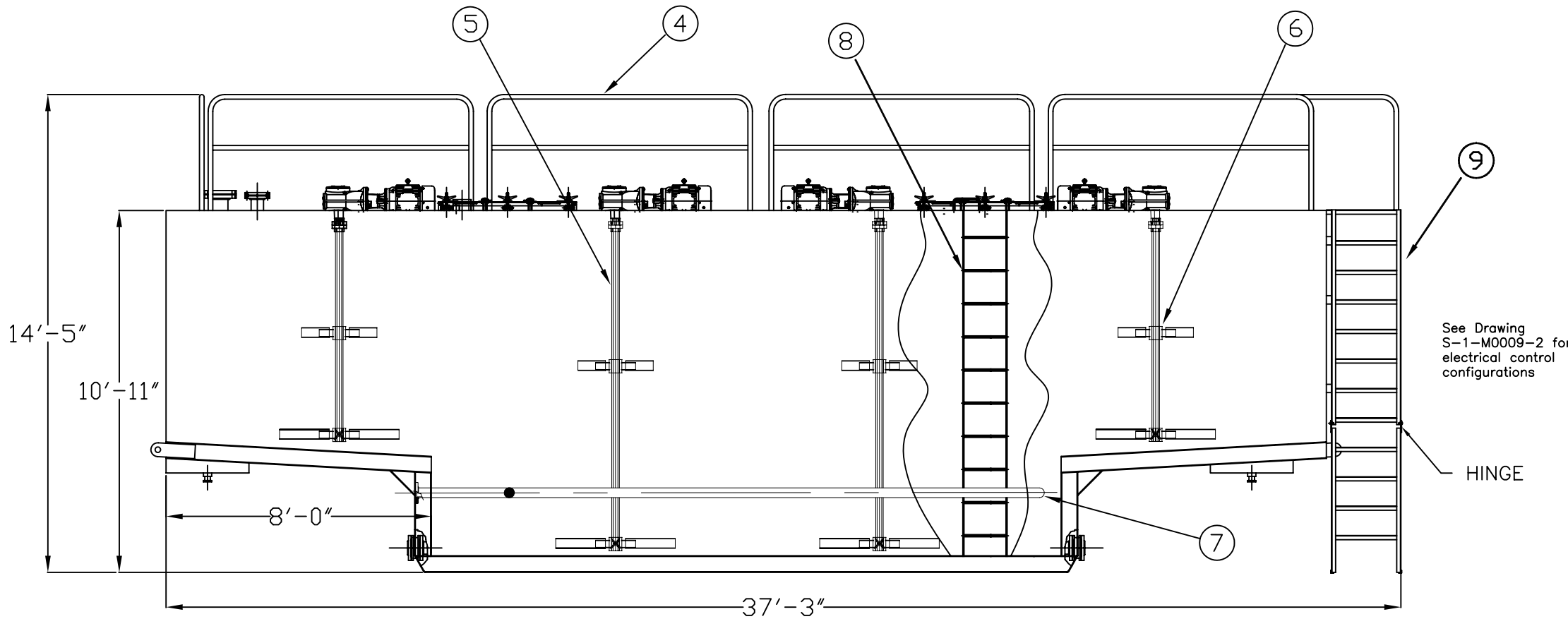


ITEM	QTY	DESCRIPTION
1	4	Speed Reduction Gearbox; 70 RPM Output Speed
2	4	10 h.p., 480 Volt, 3-phase, 1800 RPM Electric Motor
3	2	50"x32" Marine Style Hinged Access Hatch
4	-	Guardrails
5	2	118" Long Mixer Shaft, 10" & 18" Long Mix Blades
6	2	79" Long Mixer Shaft, 10" & 18" Long Mix Blades
7	1	Steam Coil
8	1	Internal Access Ladder
9	1	Exterior Stairway



See Drawing S-1-M0009-2 for electrical control configurations

HINGE

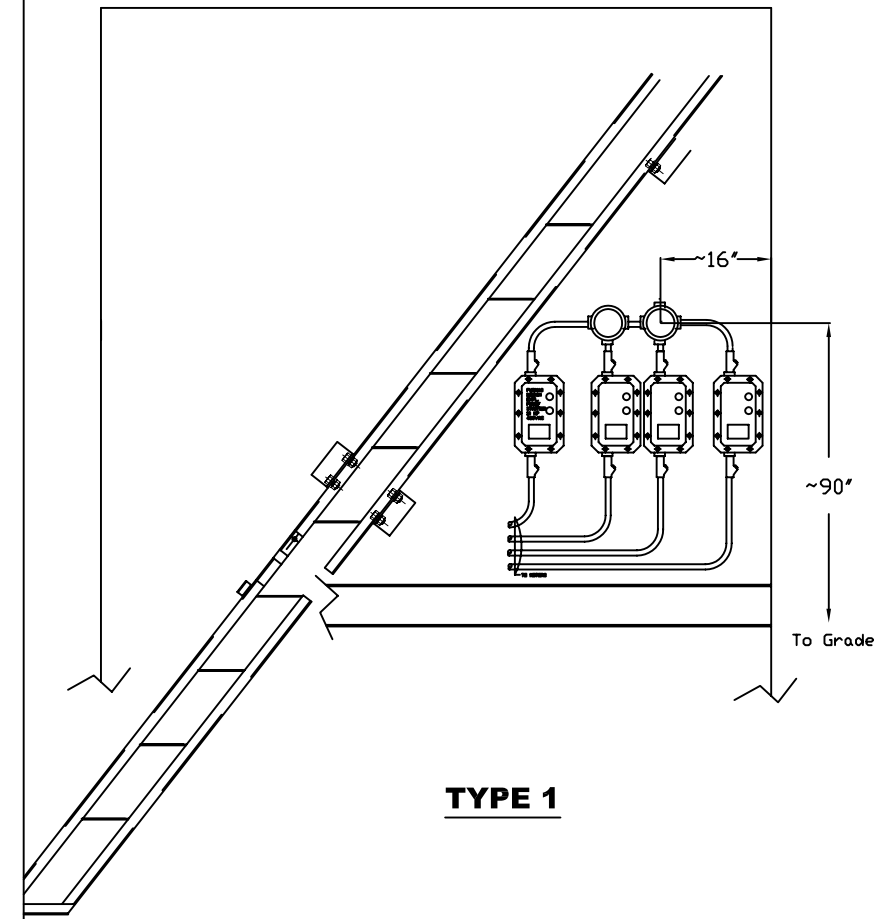
NOTES:
 1. Customer is required to provide power: 480-V, 3-phase, 3-wire protected with min. 60A circuit breaker and max. 100A breaker. See decal on tank for circuit breaker coordination and fault circuit limits. Ground according to NEC Article 250. Max #2 AWG 1-1/4" conduit.
 2. See DRawing S-1-M0009-2 for electrical control configurations.

SPECIFICATIONS:
 1. Nominal Capacity: 425 BBL (17,850 gallons)
 2. Approximate Weight: 29,000 lbs.
 3. Material of Construction: Carbon Steel
 4. Interior Lining: None

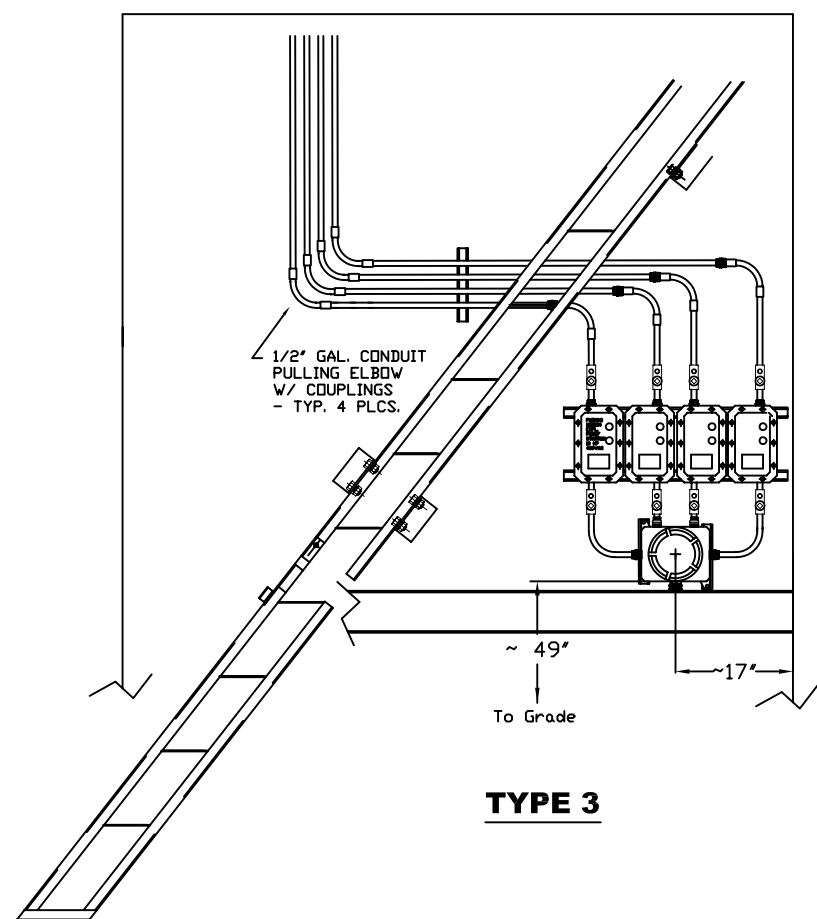
The information contained herein is proprietary to Baker Tanks and shall not be reproduced or disclosed in whole or in part, or used for any design or manufacture except when user obtains direct written authorization from Baker Tanks.

BAKER TANKS 3020 OLD RANCH PARKWAY
 SEAL BEACH, CA 90740-2751

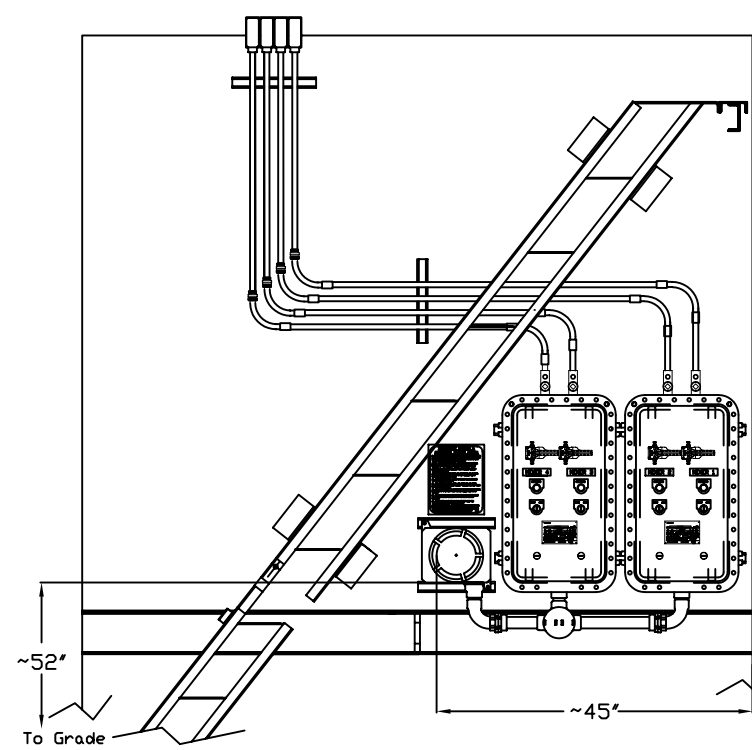
G				SCALE: To Scale	SIZE B	ORIGINAL DWG. DATE 20JUN03
F				DRAWN BY: P.J.B.	APPROVED BY: -	CAT/CLASS 180-83XX
E						
D				TITLE BAKER STYLE MIX TANK		SHEET 1 OF 2
C				DRAWING NO. S-1-M0009-1-		REV. 0
B						
A						
REV.	DESCRIPTION	DATE	BY			



TYPE 1



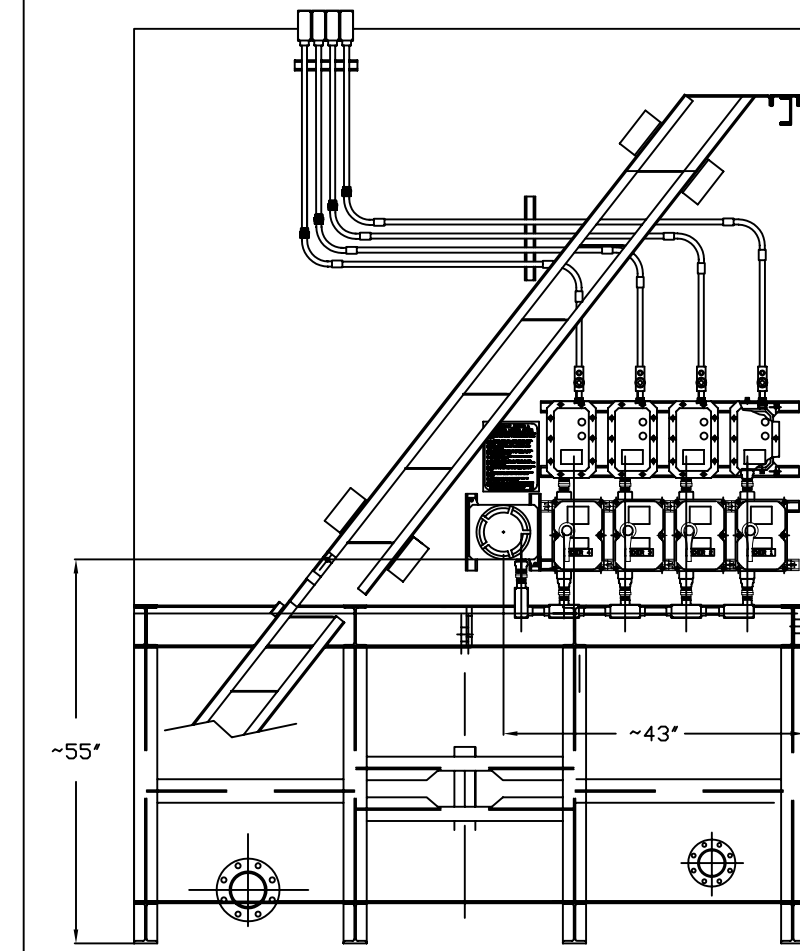
TYPE 3



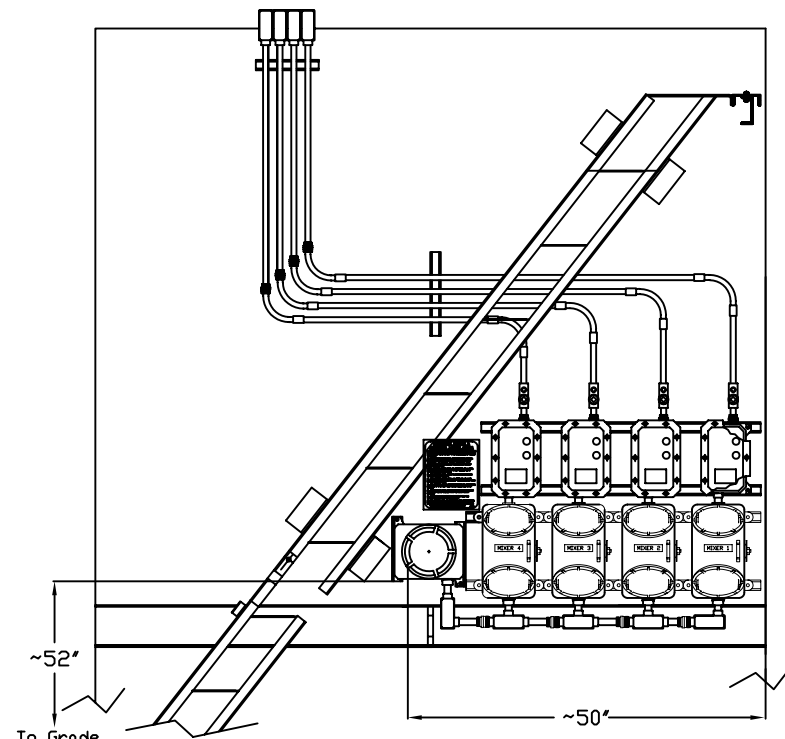
TYPE 5

CUSTOMER WIRING SPECS - TYPE 5

- 1) THIS MIX TANK IS SUITABLE FOR CLASS I, GROUPS C & D AND CLASS II, GROUPS E, F & G LOCATIONS AS LONG AS 80% OF THE IGNITION TEMPERATURE OF THE SPECIFIC GAS, VAPOR OR DUST TO BE ENCOUNTERED IS GREATER THAN 165°C.
- 2) ALL CUSTOMER WIRING SHALL COMPLY WITH THE NATIONAL ELECTRICAL CODE (NEC) AND ALL APPROPRIATE STANDARDS REQUIRED BY THE AUTHORITY HAVING JURISDICTION (AHJ).
- 3) THE TANK WIRING IS DESIGNED FOR A MAXIMUM AMBIENT TEMPERATURE OF 60°C.
- 4) THE CUSTOMER FEEDER SHALL BE 480-VOLTS, 3Ø, 3 WIRE, PROTECTED WITH A MINIMUM OF A 60-AMP BREAKER AND A MAXIMUM OF A 100-AMP BREAKER.
- 5) THE CUSTOMER SHALL SUPPLY A GROUND IN ACCORDANCE WITH THE NEC, ARTICLE 250.
- 6) THE CUSTOMER FEEDER SHALL BE SIZED FOR AT LEAST 60-AMPS AT THE APPROPRIATE AMBIENT TEMPERATURE AND SHALL BE RATED AT 600-VOLTS.
- 7) THE CUSTOMER FEEDER CONNECTION POINT CAN ACCOMMODATE A MAXIMUM OF A #2 AWG THWN COPPER FEEDER AND A 1 1/4" CONDUIT.
- 8) THE CUSTOMER SHALL BE RESPONSIBLE FOR COORDINATING THE FEEDER CIRCUIT BREAKER WITH THE MOTOR CIRCUIT BREAKERS.
- 9) THE MAXIMUM AVAILABLE FAULT CURRENT FROM THE CUSTOMER SHALL NOT EXCEED 25,000-AMPS.
- 10) THE CUSTOMER SHALL BE RESPONSIBLE FOR VERIFYING THE PROPER PHASING TO INSURE COUNTER-CLOCKWISE ROTATION OF THE MIX SHAFT WHILE VIEWING FROM THE TOP LOOKING DOWN.




TYPE 4 / KILLARK



TYPE 4 / CROUSE-HINDS

CUSTOMER WIRING SPECS - TYPE 4 (CROUSE-HINDS & KILLARK)

- 1) THIS MIX TANK IS SUITABLE FOR CLASS I, GROUP D LOCATIONS AS LONG AS 80% OF THE IGNITION TEMPERATURE OF THE SPECIFIC GAS, VAPOR OR DUST TO BE ENCOUNTERED IS GREATER THAN 280°C.
- 2) ALL CUSTOMER WIRING SHALL COMPLY WITH THE NATIONAL ELECTRICAL CODE (NEC) AND ALL APPROPRIATE STANDARDS REQUIRED BY THE AUTHORITY HAVING JURISDICTION (AHJ).
- 3) THE TANK WIRING IS DESIGNED FOR A MAXIMUM AMBIENT TEMPERATURE OF 40°C.
- 4) THE CUSTOMER FEEDER SHALL BE 480-VOLTS, 3Ø, 3 WIRE, PROTECTED WITH A MINIMUM OF A 60-AMP BREAKER AND A MAXIMUM OF A 100-AMP BREAKER.
- 5) THE CUSTOMER SHALL SUPPLY A GROUND IN ACCORDANCE WITH THE NEC, ARTICLE 250.
- 6) THE CUSTOMER FEEDER SHALL BE SIZED FOR AT LEAST 60-AMPS AT THE APPROPRIATE AMBIENT TEMPERATURE AND SHALL BE RATED AT 600-VOLTS.
- 7) THE CUSTOMER FEEDER CONNECTION POINT CAN ACCOMMODATE A MAXIMUM OF A #2 AWG THWN COPPER FEEDER AND A 1 1/4" CONDUIT.
- 8) THE CUSTOMER SHALL BE RESPONSIBLE FOR COORDINATING THE FEEDER CIRCUIT BREAKER WITH THE MOTOR CIRCUIT BREAKERS.
- 9) THE MAXIMUM AVAILABLE FAULT CURRENT FROM THE CUSTOMER SHALL NOT EXCEED 18,000-AMPS.
- 10) THE CUSTOMER SHALL BE RESPONSIBLE FOR VERIFYING THE PROPER PHASING TO INSURE COUNTER-CLOCKWISE ROTATION OF THE MIX SHAFT WHILE VIEWING FROM THE TOP LOOKING DOWN.

The information contained herein is proprietary to Baker Tanks and shall not be reproduced or disclosed in whole or in part, or used for any design or manufacture except when user obtains direct written authorization from Baker Tanks.						3020 OLD RANCH PARKWAY SEAL BEACH, CA 90740-2751	
G				SCALE: Do Not Scale	SIZE B	ORIGINAL DWG. DATE 23JUN03	
F				DRAWN BY: P.J.B.	APPROVED BY: -	CAT/CLASS 180-83XX	
E						SHEET 2 of 2	
D				TITLE BAKER STYLE MIX TANK ELECTRICAL CONTROL CONFIGURATIONS			DRAWING NO. S-1-M0009-2-
C				REVISIONS		REV. A	
B							
A	Changed drawing layout and added electrical notes	7/6/06	P.J.B.				
REV.	DESCRIPTION	DATE	BY				