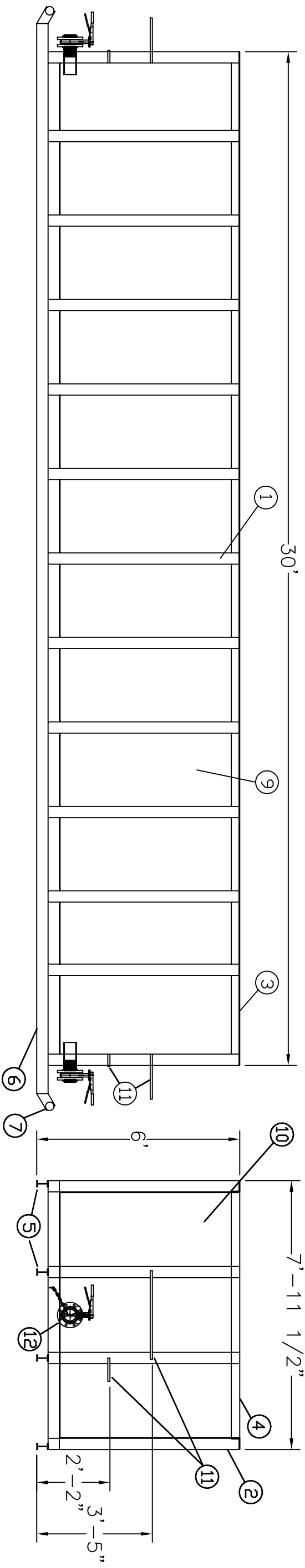


ITEM NO.	QTY.	PART NO.	DESCRIPTION
1	13	--	FRAME SUPPORT ASSEMBLY, SQUARE TUBING 4x4x1/4"
2	4	--	FRONT&BACK PANEL SUPP., RECTANG. TUBING, 5x3x3/8"
3	2	--	SIDE PANEL SUPP., STRUCTURAL L ANGLE, 5x3x1/4" THK.
4	2	--	FRONT & BACK TOP SUPP., STRUCT. CHANNEL, 5x3x3/8" THK.
5	2	--	FLOOR SUPPORTS
6	2	--	OUTER SKID ASSEMBLY
7	1	--	BUMPER ASSEMBLY
8	1	--	FLOOR PANEL, STEEL 1/4" THK.
9	2	--	SIDE PANEL, STEEL 1/4" THK.
10	2	--	FRONT & BACK PANEL, STEEL 1/4" THK.
11	4	--	STEPS
12	2	--	TOTAL DRAIN ASSEMBLY

THIS IS AN OPEN TOP TANK



- SPECIFICATIONS:
- TANK CAPACITY:
STD: 220 BBL/9,240 GAL.
 - TANK WEIGHT: 11,450 LB.

NOTES:
1. This drawing is a baseline representation for this model tank. Variations between the drawing and the actual equipment in the field can and do exist, primarily with appurtenance locations, sizes and quantities. Consult your local Baker representative if specific needs exist.

The information contained herein is proprietary to Baker Tanks and shall not be reproduced or disclosed in whole or in part, or used for any design or manufacture except when user obtains direct written authorization from Baker Tanks.



3020 OLD RANCH PARKWAY
SEAL BEACH, CA 90740-2751

REV.	DESCRIPTION	DATE	BY
G			
F			
E			
D			
C			
B			
A			

SCALE:	Do Not Scale	SIZE:	B	ORIGINAL DWG. DATE:	05APR02
DRAWN BY:	A. R.	APPROVED BY:	--	CAT/CLASS:	170-2000
TITLE:	220 BBL MUD TANK	SHEET:	1 OF 1		
DRAWING NO.:	S-1-M0008-1-	REV.:	0		