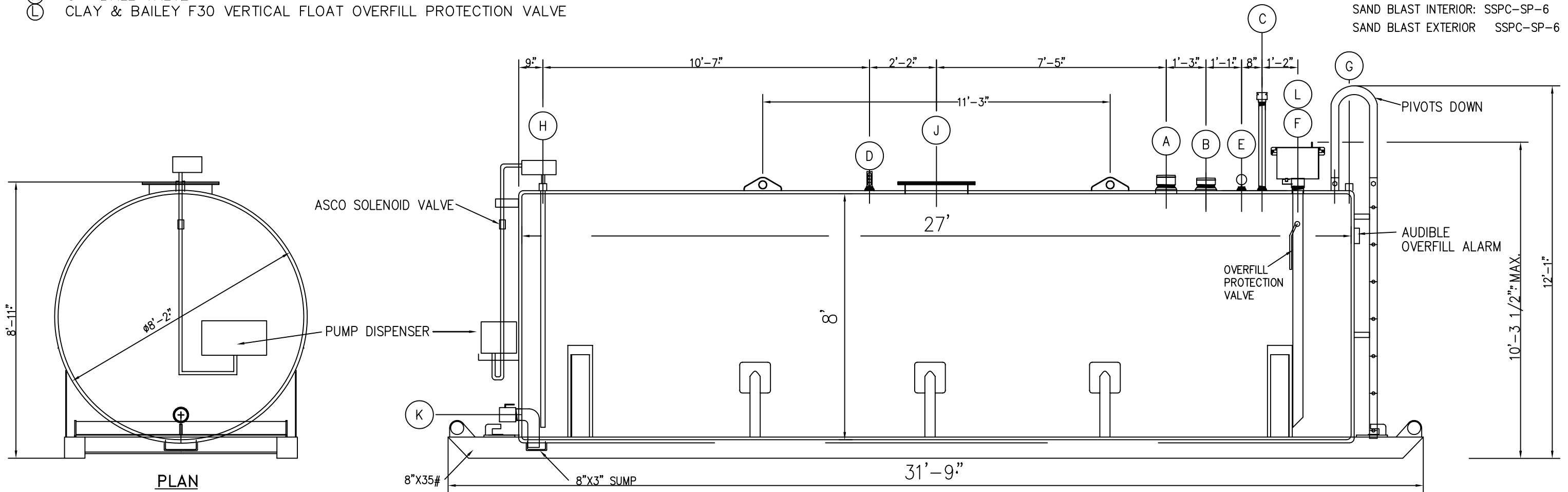


- (A) 8" PRIMARY EMERGENCY VENT
- (B) 8" SECONDARY EMERGENCY VENT
- (C) 2" VENT
- (D) KRUEGAR VOLUME VISUAL ALERT
- (E) MORRISON BROS. CLOCK GUAGE W/ AUDIBLE ALARM AT 85%
- (F) 5 GALLON SPILL CONTAINMENT W/ DRAIN BACK
- (G) ANULAR MONITOR SPACE
- (H) 1/3 HP SUBMERSIBLE PUMP
- (J) MANWAY
- (K) 3" BALL VALVE
- (L) CLAY & BAILEY F30 VERTICAL FLOAT OVERFILL PROTECTION VALVE

CARBOLINE 187
 PAINT EXTERIOR: CARBOLINE 890
 EST. WT EMPTY: 20,253 lbs.

GENERAL NOTES:
 FABRICATION PER UL-142 & UL-2244
 LABEL REQ'D. YES
 DESIGN PRESSURE - ATM.
 DESIGN TEMPERATURE - AMB.
 SHOP TEST 3.0 - 5.0 PSI W/SOAP SUDS
 MATERIAL FOR PRIMARY SHELL SA-36
MATERIAL FOR PRIMARY HEADS SA-
 MATERIAL FOR SECONDARY SHELL SA-36
 MATERIAL FOR SECONDARY HEADS SA-36
 GASKETS VEGETABLE FIBER
 SAND BLAST INTERIOR: SSPC-SP-6
 SAND BLAST EXTERIOR SSPC-SP-6



ELEVATION

<p>The information contained herein is proprietary to Baker Tanks and shall not be reproduced or disclosed in whole or in part, or used for any design or manufacture except when user obtains direct written authorization from Baker Tanks.</p>						<p>3020 OLD RANCH PARKWAY SEAL BEACH, CA 90740-2751</p>	
G				SCALE:	SIZE	ORIGINAL DWG. DATE	
F				Do Not Scale	B	09SEP02	
E				DRAWN BY:	APPROVED BY:	CAT/CLASS	
D				P.J.B.	-	187-1000 187-1050	
C				TITLE			SHEET
B				10,000 GALLON DOUBLE WALL FUEL STORAGE TANK			1 OF 1
A	Added note 1	6/13/03	PJB	DRAWING NO.			REV.
REV.	DESCRIPTION	DATE	BY	S-9-M0007-1-			A

- NOTES: **A**
- THIS DRAWING IS A BASELINE REPRESENTATION FOR THIS MODEL TANK. VARIATIONS BETWEEN THE DRAWING AND THE ACTUAL EQUIPMENT IN THE FIELD CAN AND DO EXIST, PRIMARILY WITH APPURTENANCE LOCATIONS, SIZES AND QUANTITIES. CONSULT YOUR LOCAL BAKER REPRESENTATIVE IF SPECIFIC NEEDS EXIST.
 - NOT ALL TANKS ARE EQUIPPED WITH PUMP AND DISPENSER.