



**PRODUCT DATA SHEET**

April, 2003

**3" S3B1 GORMAN-RUPP  
ELECTRIC SUBMERSIBLE PUMP**

**GENERAL INFORMATION**

A Slimline model that is lightweight and ideal for narrow openings. Electric motor is protected by an oil-filled tandem seal.

**PERFORMANCE DATA**

➤ <b>Operating Speed:</b>	- 3450 RPM
➤ <b>Shutoff Head :</b>	- 77' (33 psi) <sup>(1)</sup>
➤ <b>Minimum Flow:</b>	- 50 GPM
➤ <b>Maximum Flow:</b>	- 475 GPM
➤ <b>Max. Suction Pressure:</b>	- 50 psi
➤ <b>Max. Liquid Temp.:</b>	- 122° F
➤ <b>Maximum Solids Size:</b>	- 3/8" Diameter

**PUMP SPECIFICATIONS**

➤ <b>Impeller:</b>	- 5" diameter
➤ <b>Mechanical Seals:</b>	- Oil lubricated tandem: <u>Upper</u> – Type 21, carbon rotating face, Ni-resist stationary face, Buna-N elastomers <u>Lower</u> – Type 2, tungsten titanium carbide rotating and stationary faces, Viton elastomers
➤ <b>Suction Strainer:</b>	- 40% open area

**PHYSICAL SPECIFICATIONS**

➤ <b>Discharge Size:</b>	- 3" NPT
➤ <b>Total Weight:</b>	- 145 lbs.
➤ <b>Height:</b>	- 26-1/2" (bottom of strainer to top of bail) 21" (bottom of strainer to top of discharge flange)
➤ <b>Diameter:</b>	- 10" (O.D.)

**MATERIAL SPECIFICATIONS**

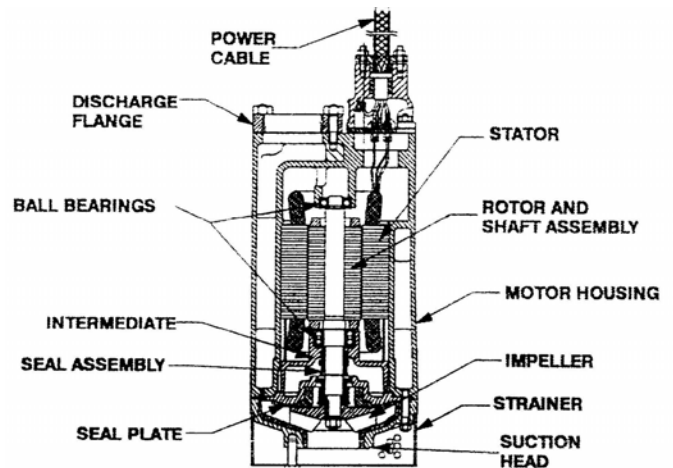
➤ <b>Pump Head:</b>	- Aluminum Alloy No. 356-T6 with Nitrile lining
➤ <b>Shaft Sleeve:</b>	- 304 stainless steel
➤ <b>Strainer:</b>	- Urethane coated steel
➤ <b>Mechanical Seal Faces:</b>	- Lower: tungsten titanium carbide (both faces)
➤ <b>Intermediate:</b>	- Aluminum Alloy No. 356-T6
➤ <b>Rotor Shaft:</b>	- 416 stainless steel
➤ <b>O-rings:</b>	- Buna-N
➤ <b>Impeller:</b>	- Ductile Iron 65-45-12
➤ <b>Motor Housing:</b>	- Aluminum Alloy No. 356-T6
➤ <b>Discharge Flange:</b>	- Aluminum Alloy No. 356-T6

**ELECTRICAL SPECIFICATIONS**

➤ <b>Electric Motor:</b>	- 6 H.P., 3450 RPM, oil filled enclosure. 460 volt 3-phase, 60 Hz, 11.5 full load AMPS
➤ <b>Power Cable:</b>	- Type SO/SOOW; 10 AWG. 3-conductor, plus 1 ground. Nominal length 50' standard.
➤ <b>Control Box:</b>	- NEMA Type 3R rainproof, on/off, circuit breaker and motor overload protection
➤ <b>Generator Size<sup>(2)</sup>:</b>	- 15 kw recommended

**Notes:**

- <sup>(1)</sup> Based on 1.0 specific gravity
- <sup>(2)</sup> If other power sources not available



To the best of our knowledge the technical data contained herein are true and accurate at the date of issuance and are subject to change without prior notice. No guarantee of accuracy is given or implied because variations can and do exist. NO WARRANTY OR GUARANTEE OF ANY KIND IS MADE BY BAKER PUMPS, EITHER EXPRESS OR IMPLIED.